

PRODUCT DATASHEET

Model: LXD102

Category: LED Recessed Linear Downlight

Description: 4w LED Recessed Linear Downlight



General Information

Material: Aluminum + Iron

Fitting Colors: Matte White/ Black

Rotation Angle (degree): Not Applicable

Tilting Angle (degree): Not Applicable

Track System: Not Applicable

IP Rating: 20

Working Temperature (°C): -20 - +32

Storage Temperature (°C): -20 - +50



Product Dimensions and Cut-out Information

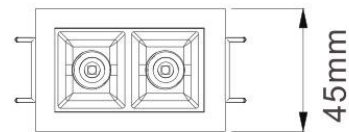
Fitting Length (mm): Not Applicable

Diameter (mm): 75 x 45

Height (mm): 49

Cut-out Dimension (mm): 65 x 35

Dimension:



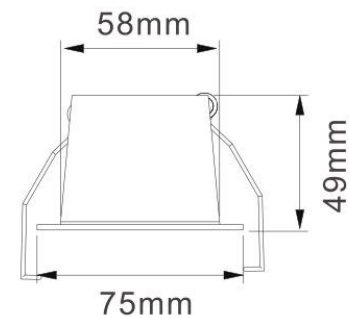
Packing Information

Packaging Type: Individual box

Quantity per carton: 50

CBM per carton: 0.022

Gross weight per carton (kgs): 7.5



Lifespan

Lifetime (hours): 50000

Luminous Flux after 50000hours (lm): LM80 Comply

PRODUCT DATASHEET

Model: LXD102

Category: LED Recessed Linear Downlight

Description: 4w LED Recessed Linear Downlight



Light Technical Information

Color Temperature	CRI (Ra)	System Lumen	Lumen per Watt
2700	95	282	56
3000	95	305	61
4000	95	351	70

LED Manufacturer: Luminus

LED Type: SMD

LED Model: SST-20

Optic: Reflector

Beam Angle (°): 15/30/45

Electrical Information

System Power (w): 5

Input Voltage (v) & Frequency: 220-240V 50/60Hz

Output Voltage (v): 5.6-6

Current (mA): 700

Non-Dimmable: ACTEC MINI700MA/4W 100-240VAC

Power Factor: 0.4

Efficiency (%): 73

Dimmable: Triac Dimming – Upon Request

1-10V Dimming – Upon Request

Dali Dimming – Upon Request