



MASTER VALUE LEDs pot LV

MASTER LED 4.9-50W 3000K MR16 36D

Delivering a warm, halogen-like accent beam, MASTER LEDspot LV is an ideal retrofit solution for spot and general lighting applications in the hospitality industry. It is particularly suited to public areas such as receptions, lobbies, corridors, stairwells and washrooms, where the light is on all the time. The robustly designed MASTER LEDspot offers a choice of beam angles for a clearly defined beam spread. There is no UV or IR in the beam, making it suitable for illuminating heat-sensitive objects (food, organic materials, paintings, etc.). The patented intelligent driver enables broad compatibility with existing electromagnetic and electronic halogen transformers. The dimmable versions drive further efficiencies, while helping to create the desired atmosphere.

Warnings and Safety

- Operating temperature range is between -20° C and 45° C ambient
- Only to apply in dry or damp locations and most of open fixtures with lamp-holders that offer sufficient space (10 mm free air space)
- Not intended for use with emergency light fixtures or exit lights

Product data

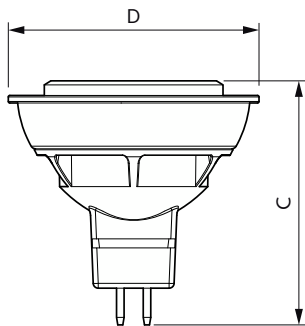
General Information		Luminous Flux	
Cap-Base	GU5.3	Luminous Flux	425 lm
Nominal lifetime	25,000 hour(s)	Luminous Intensity (Nom)	950 cd
Switching Cycle	50,000	Color Designation	White (WH)
Lighting Technology	LED	Correlated Color Temperature (Nom)	3000 K
Light Technical		Luminous Efficacy (rated) (Nom)	86 lm/W
Color Code	930 [CCT of 3000K]	Color Consistency	<6
Beam Angle (Nom)	36 degree(s)	Color rendering index (CRI)	90
		LLMF At End Of Nominal Lifetime (Nom)	70 %

MASTER VALUE LEDspot LV

Photobiological safety according to EN 62471 RG1	
Operating and Electrical	
Input Frequency	- Hz
Power Consumption	4.9 W
Lamp Current (Nom)	484 mA
Wattage Equivalent	50 W
Starting Time (Nom)	0.5 s
Warm-up time to 60% light	0.5 s
Power Factor (Fraction)	0.7
Voltage (Nom)	ac electronic 12 V
Temperature	
T-Case Maximum (Nom)	72 °C
Controls and Dimming	
Dimmable	No
Mechanical and Housing	
Bulb Finish	Clear
Bulb Material	Metal

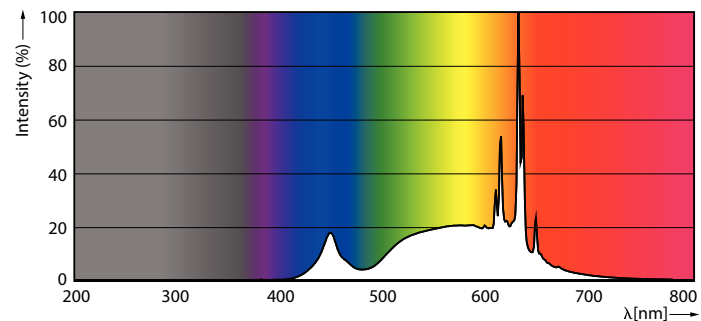
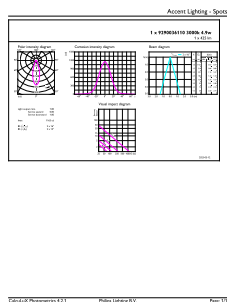
Bulb Shape	MR16
Net Weight (Piece)	0.037 kg
Approval and Application	
Suitable For Accent Lighting	Yes
EU RoHS compliant	Yes
Ambient temperature range	-20 to +45 °C
Product Data	
Order product name	MASTER LED 4.9-50W 3000K MR16 36D
Full product name	MASTER LED 4.9-50W 3000K MR16 36D
Full product code	872016917462700
Order code	929003611008
Material Nr. (12NC)	929003611008
Numerator - Quantity Per Pack	1
EAN/UPC - Product/Case	8720169174627
Numerator - Packs per outer box	10
EAN/UPC - Case	8720169174634

Dimensional drawing



Product	D	C
MASTER LED 4.9-50W 3000K MR16 36D	50.5 mm	50 mm

Photometric data

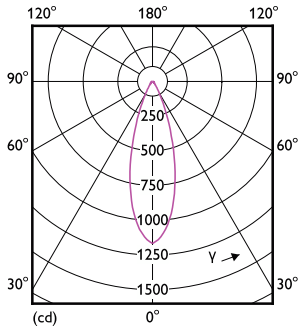


Accent Lighting Spots - MASTER LED 4.9-50W 3000K MR16 36D

Spectral Power Distribution Colour - MASTER LED 4.9-50W 3000K MR16 36D

MASTER VALUE LEDspot LV

Photometric data



Light Distribution Diagram - MASTER LED 4.9-50W 3000K MR16 36D

Lifetime



Life Expectancy Diagram



Lumen Maintenance Diagram - MASTER LED 4.9-50W 3000K MR16 36D

