



# MASTER VALUE LEDs pot LV

## MASTER LED 4.9-50W 2700K MR16 36D

Delivering a warm, halogen-like accent beam, MASTER LEDspot LV is an ideal retrofit solution for spot and general lighting applications in the hospitality industry. It is particularly suited to public areas such as receptions, lobbies, corridors, stairwells and washrooms, where the light is on all the time. The robustly designed MASTER LEDspot offers a choice of beam angles for a clearly defined beam spread. There is no UV or IR in the beam, making it suitable for illuminating heat-sensitive objects (food, organic materials, paintings, etc.). The patented intelligent driver enables broad compatibility with existing electromagnetic and electronic halogen transformers. The dimmable versions drive further efficiencies, while helping to create the desired atmosphere.

### Warnings and Safety

- Operating temperature range is between -20° C and 45° C ambient
- Only to apply in dry or damp locations and most of open fixtures with lamp-holders that offer sufficient space (10 mm free air space)
- Not intended for use with emergency light fixtures or exit lights

### Product data

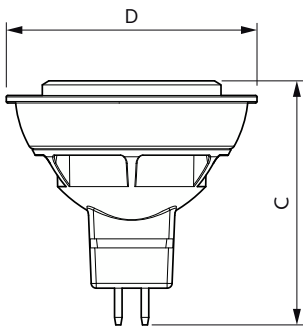
General Information		Luminous Flux	
Cap-Base	GU5.3	Luminous Flux	415 lm
Nominal lifetime	25,000 hour(s)	Luminous Intensity (Nom)	900 cd
Switching Cycle	50,000	Color Designation	Warm White (WW)
Lighting Technology	LED	Correlated Color Temperature (Nom)	2700 K
Light Technical		Luminous Efficacy (rated) (Nom)	84 lm/W
Color Code	927 [CCT of 2700K]	Color Consistency	<6
Beam Angle (Nom)	36 degree(s)	Color rendering index (CRI)	90
		LLMF At End Of Nominal Lifetime (Nom)	70 %

# MASTER VALUE LEDspot LV

Photobiological safety according to EN 62471 RG1	
<b>Operating and Electrical</b>	
Input Frequency	- Hz
Power Consumption	4.9 W
Lamp Current (Nom)	484 mA
Wattage Equivalent	50 W
Starting Time (Nom)	0.5 s
Warm-up time to 60% light	0.5 s
Power Factor (Fraction)	0.7
Voltage (Nom)	ac electronic 12 V
<b>Temperature</b>	
T-Case Maximum (Nom)	72 °C
<b>Controls and Dimming</b>	
Dimmable	No
<b>Mechanical and Housing</b>	
Bulb Finish	Clear
Bulb Material	Metal

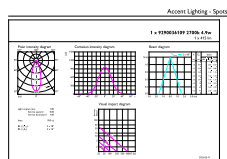
Bulb Shape	MR16
Net Weight (Piece)	0.037 kg
<b>Approval and Application</b>	
Suitable For Accent Lighting	Yes
EU RoHS compliant	Yes
Ambient temperature range	-20 to +45 °C
<b>Product Data</b>	
Order product name	MASTER LED 4.9-50W 2700K MR16 36D
Full product name	MASTER LED 4.9-50W 2700K MR16 36D
Full product code	872016917460300
Order code	929003610908
Material Nr. (12NC)	929003610908
Numerator - Quantity Per Pack	1
EAN/UPC - Product/Case	8720169174603
Numerator - Packs per outer box	10
EAN/UPC - Case	8720169174610

## Dimensional drawing

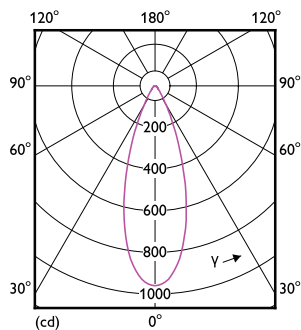


Product	D	C
MASTER LED 4.9-50W 2700K MR16 36D	50.5 mm	50 mm

## Photometric data



Technical Parameters 1211 | Master Lighting LV | Page 1/1

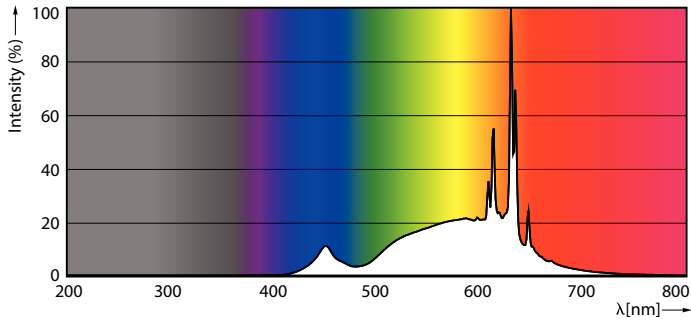


Light Distribution Diagram - MASTER LED 4.9-50W 2700K MR16 36D

Accent Lighting Spots - MASTER LED 4.9-50W 2700K MR16 36D

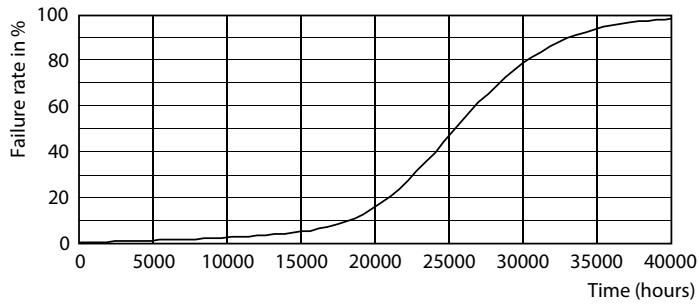
# MASTER VALUE LEDspot LV

## Photometric data



Spectral Power Distribution Colour - MASTER LED 4.9-50W 2700K MR16 36D

## Lifetime



Life Expectancy Diagram



Lumen Maintenance Diagram - MASTER LED 4.9-50W 2700K MR16 36D

