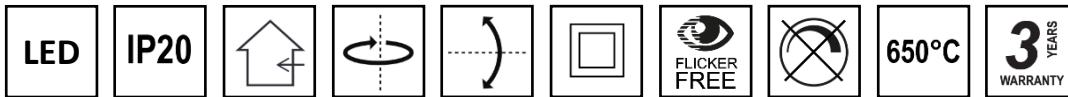
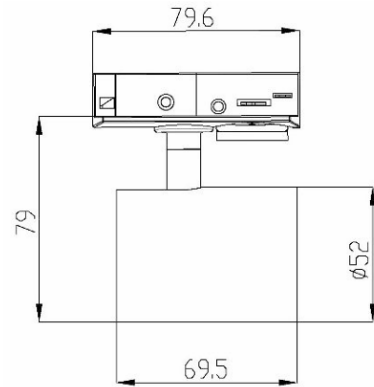


[ECO] _ L2T610

12w LED Tracklight

RiO
LIGHT DYNAMIC



General Information

Housing Material:	Aluminium	Diffuser Material:	PC
Colour (RAL):	White(9016) - Black(9004)	Weight:	159g
Dimensions (L-W-H):	Dia.52mm – H69.5mm	Cut hole :	N/A
Connection:	Track Adapter (Single Phase)	Installation:	Track mounted
Rotation Angle:	350°	Tilting Angle:	90°
Temperature:	-20 ~ +35°C	Accessories:	N/A

Photometrical Data

LED Manufacturer:	HONGLITRONIC	LED Type:	COB
CCT:	3000K - 4000K – 6000K	CRI (Minimum):	90
lm system (±5%):	1077lm - 1181lm - 1132lm	lm source:	1267lm - 1381lm - 1324lm
Luminous Efficiency:	84lm/w - 92lm/w – 89lm/w	MacAdam:	3
Opitc:	Lens	Beam Angle:	24°/36°
UGR:	<19	LifeSpan (Ta25°C):	>50.000h - L70B50

Electrical Data

Driver:	RiO	Input Voltage:	220-240VAC 50/60Hz
Output Voltage:	97-119VDC	Output Current:	110mA
Power Factor:	>0.5	Current Ripple:	±5%
W system:	12.8W	Ballast Losses:	0.8W
Control:	ON/OFF	Minimum Dimming:	N/A