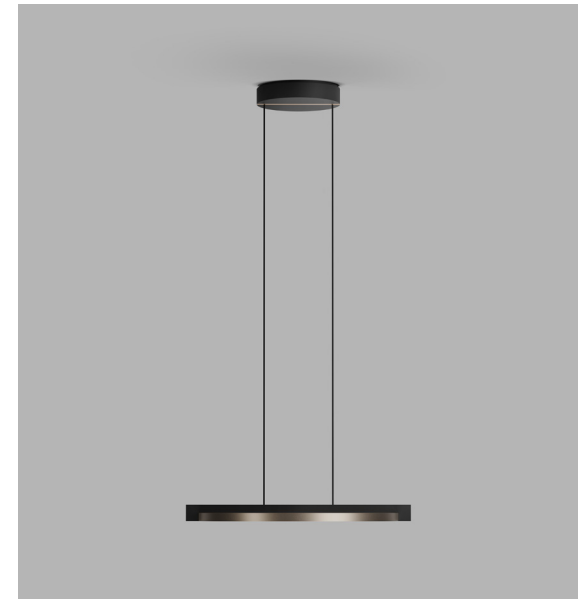


# INLAY Collection

INLAY is designed based on one bearing principle – a straight line. This basic thought process is the essence of this design. It hardly gets more minimalistic, while still emphasizing the contrasts of the materials – Matt Black Aluminium combined with Satin Gold or Matt Silver Aluminium. Two materials alike yet contrasting.



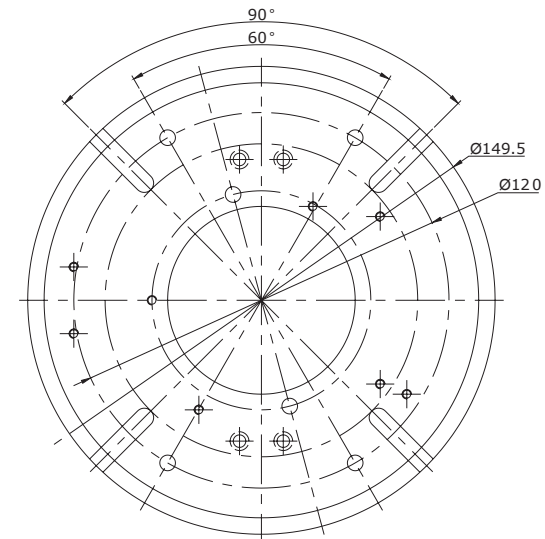
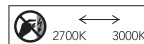
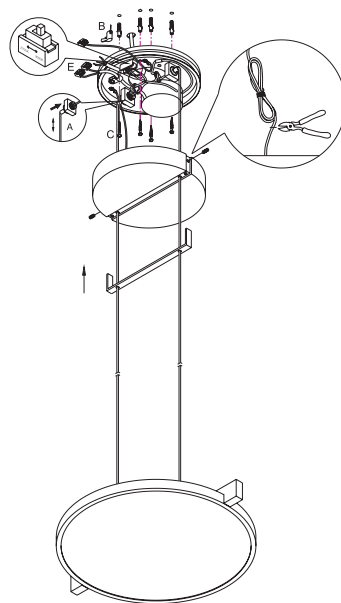
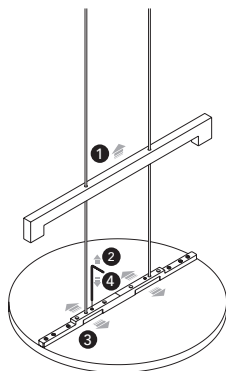
## INLAY S DISC User instructions



## Balancing the lamp (if needed)

In the event that the lamp disc appears unbalanced following installation, utilise the following guidelines to ensure perfect equilibrium:

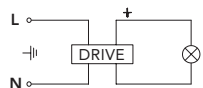
- 1 Delicately pull the upper magnetic metal bar.
- 2 Loosen the two screws located adjacent to the two cables.
- 3 Shift the balancing plate either to the left or right, depending on the side requiring additional weight to achieve disc balance. Please note that fine-tuning may be necessary for precise levelling.
- 4 Gently secure the screw to firmly affix the balancing plate in its designated position.



## Installation instructions

- 1 Before installing, make sure the power supply is switched off.
- 2 Follow the steps as the figure for installation.
  - A Adjust the cable to the length you need. If there is some extra cable in the base, please cut it and re-connect the cable as the previous way.
  - B After drilling, pull out the wires.
  - C Fix the mounting bracket onto the ceiling with screws.
  - D Cut off the excess wire.
  - E Connect the wires to the terminal block.
  - F Fix the canopy to the mounting bracket with screws.
  - G Fix the decorative plate to the fixture with the magnet.
- 3 After finishing every step, tighten the screws, have the fixture fixed, and then connect the power supply.

NOTE: In case of any doubt, please contact the qualified electrician.



## General use

- The product is designed for indoor use only.
- The lamp gets hot after prolonged use, therefore, do not cover the product.

## Cleaning instructions

- Before cleaning, ensure that the power supply is switched off.
- Wipe surface of lamp shade with a soft cloth.
- Do not use any abrasive cleaning tools such as steel wool, scouring sponges or stiff brushes.
- Never use strong cleaning agents such as white spirit, household glass cleaner or cellulose thinners.

## Safety precautions

- The appliance should be installed, connected and tested by qualified electrician and in accordance with local regulations.
- Turn off the power supply before installation or maintenance of the lamp, and make sure that the cables are not squeezed or damaged by sharp edges during installation.
- The lamp should not be covered by insulation blankets or similar materials.

## International warranty

Your product has gone through rigorous testing in order to live up to the highest quality standards. It therefore carries a 7-year warranty from the date of the original retail purchase receipt, covering defects in materials and workmanship when used normally in accordance with the published LIGHT-POINT guidelines.

These guidelines include but are not limited to information contained in technical specifications, safety instructions and quick start guides. LIGHT-POINT is not responsible for damage arising from failure to follow instructions relating to the use of the product.

LIGHT-POINT is a registered trademark of NORDIC LIVING GROUP.

For more information, please visit  
[LIGHT-POINT.COM](http://LIGHT-POINT.COM)

