

# **LUCCI AIR CONDOR DC CEILING FAN**

- **INSTALLATION**
- **OPERATION**
- **MAINTENANCE**
- **WARRANTY INFORMATION**

**CAUTION**  
**READ INSTRUCTIONS CAREFULLY FOR SAFE  
INSTALLATION AND FAN OPERATION.**

**THANK YOU FOR PURCHASING**

Thank you for purchasing the latest in energy saving ceiling fans. This fan runs on DC (direct current) power which gives it the benefit of being super energy efficient whilst still maintaining high volume air-movement and silent operation.

**Energy saving** - The DC motor is the latest technology in fan design. Its highly efficient motor saves up to 65% more energy than ceiling fans with traditional AC motors.

**Silent operation** – This DC fan motor is programmed with a stabilised current which efficiently reduces motor noise.

**Low operating temperature** – The DC power is managed effectively which brings down the motor operating temperature to less than 50°C. This results in a much cooler motor than a standard AC fan and increases the longevity of the motor.

**6 speed remote control** - Regular AC ceiling fans usually come with only 3 speeds, this DC fan comes complete with a 6 speed remote, which gives a greater choice of comfort levels.

**SAFETY PRECAUTIONS**

1. The appliance is not intended for use by persons (including children) with reduced physical, sensory or mental capabilities, or lack of experience and knowledge, unless they have been given supervision or instruction concerning the use of the appliance by a person responsible for their safety.
2. Children should be supervised to ensure that they do not play with the appliance.
3. An all-pole disconnection switch must be incorporated into the fixed wiring, in accordance with local wiring rules.

**WARNING:**

**FOR SAFE USE OF THIS FAN AN ALL-POLE DISCONNECTION MUST BE INCORPORATED INTO THE FIXED WIRING IN ACCORDANCE WITH THE WIRING RULES.**

As outline in clause 7.12.2 of AS/NZS 60335-1 for meeting the minimum electrical safety of this standard.


Please note warranty will be void if installation is without a means for an all-pole disconnection incorporated in the fixed wiring in accordance with the wiring rules.



Example: If a fan is connected to a circuit that can be isolated via an all-pole safety switch at the switchboard, then this is considered to be an all-pole disconnection to the ceiling fan electrical circuit, meeting the requirements of clause 7.12.2 of AS/NZS 60335.1.

**A single-pole switch on the active of the receiver input of remote control must also be included in the wiring, and located the same room as the ceiling fan.**

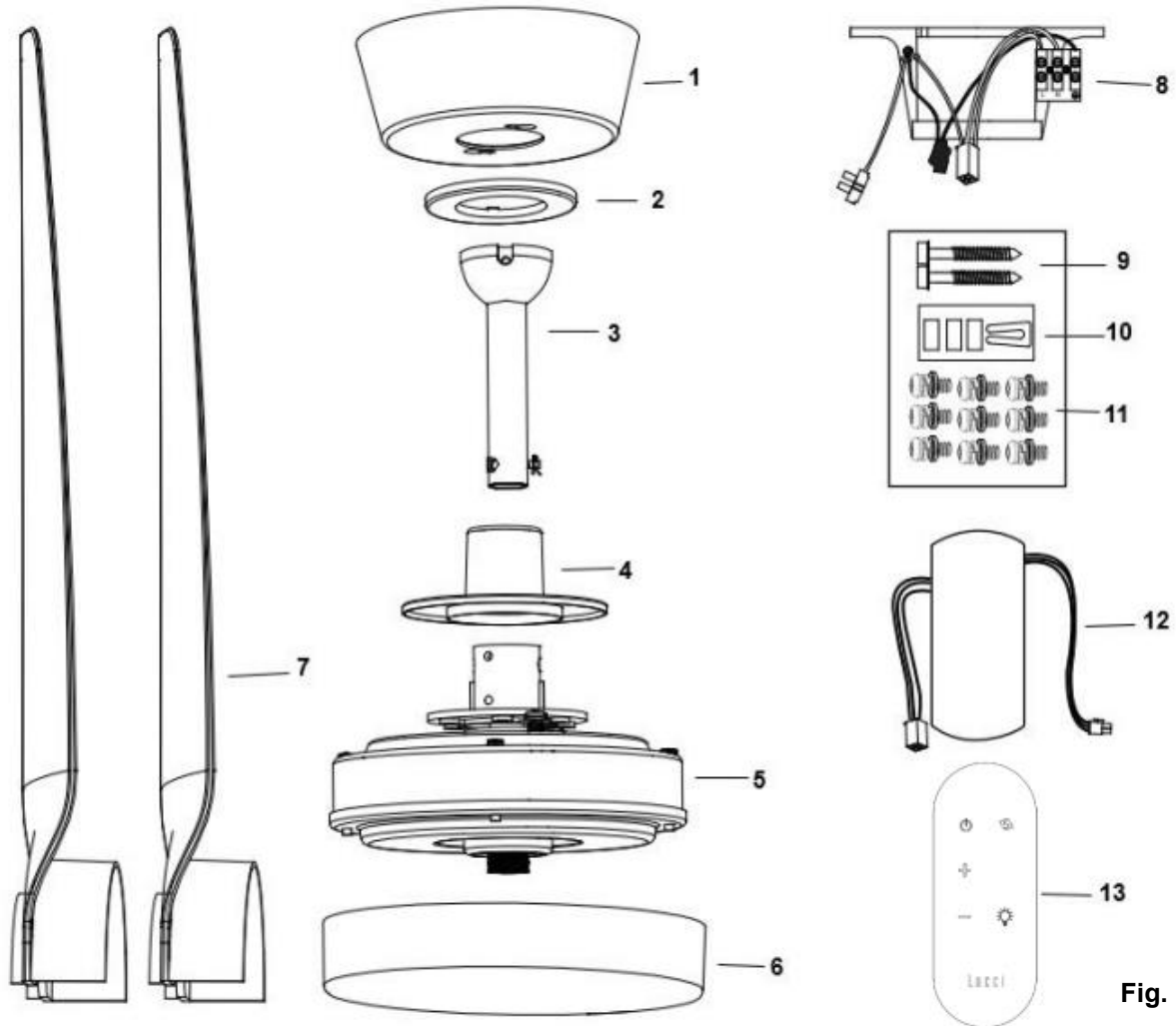


4.  Do not dispose of electrical appliances, remote or batteries as unsorted municipal waste, use separate collection facilities. Contact your local government for information regarding the collection systems available. If electrical appliances are disposed of in landfills or dumps, hazardous substances can leak into the ground water and get into the food chain, damaging your health and well-being. Please contact your local council or regional authority for more information on collection, reuse, and recycling programmes.
5. The structure to which the fan is to be mounted must be capable of supporting a weight of 16 kg.
6. The fan should be mounted so that the blades are more than 2.1 m above the floor.
7. This fan is suitable for indoor, alfresco and coastal areas where the fan is fully undercover with a minimum of 1 wall. This fan is not waterproof. When installed in an alfresco or coastal area, the ceiling fan must be positioned in a location protected from water, wind and dust. Exposure to these elements will void the warranty. Mounting the fan in a situation where it is subject to water or moisture is dangerous and may increase the risk of damage, injury or electrical shock and will void the warranty.
8. Must be assembled and installed by a licensed electrician.
9. **WARNING:** If unusual wobbling or oscillating movement is observed, immediately stop using the ceiling fan and contact the manufacturer, its service agent or suitably qualified persons.
10. The replacement of parts of the safety suspension system device shall be performed by the manufacturer, its service agent or suitably qualified persons.
11. The fixing means for attachment to the ceiling such as hooks or other devices shall be fixed with a sufficient strength to withstand 4 times the weight of the ceiling fan; that the mounting of the suspension system shall be performed by the manufacturer, its service agent or suitably qualified persons.
12. This remote contains batteries that are non-replaceable.
13. The remote control can only be powered at a safe extra low voltage (DC 5 V).



**PARTS LIST**

- Unpack your ceiling fan carefully. Remove all parts and hardware.
- Lay out all the components on a smooth surface and make sure there are no components missing before assembling. If parts are missing, return the complete product to the place of purchase for inspection or replacement.
- Check whether the ceiling fan has been damaged during transport. Do not operate/install any product which appears damaged in any way. Return the complete product to the place of purchase for inspection, repair or replacement.
- Examine all parts, you should have the following:



**Fig. 1**

1	Canopy x 1	8	Mounting bracket x 1
2	Canopy cover x 1	9	Mounting screws x 2
3	Downrod and Ball Joint x 1	10	Balancing kit x 1
4	Bolt and pin cover x 1	11	Blade screws x 9
5	Fan assembly x 1	12	Receiver x 1
6	Bottom cover x 1	13	Remote controller x 1
7	Blades x 2		



This fan is suitable for indoor, alfresco and coastal areas where the fan is fully undercover with a minimum of 1 walls. This fan is not waterproof. When installed in an alfresco or coastal area, the ceiling fan must be positioned in a location protected from water, wind and dust. Exposure to these elements will void the warranty. Mounting the fan in a situation where it is subject to water or moisture is dangerous.

## INSTALLING THE FAN

### TOOLS REQUIRED:

- Phillips / flat head screwdriver
- Pair of pliers
- Adjustable spanner
- Step ladder
- Wire cutter
- Wiring, supply cable as required by local provincial and national wiring codes and regulations

### INSTALLING THE MOUNTING BRACKET

- The ceiling fan must be installed in a location so that the blades are spaced 300mm from the tip of the blade to the nearest objects or walls.
- Install the hanging bracket to the ceiling joist or structure that is capable of carrying a load of at least 16kg, with two long screws provided. Ensure at least 30mm of the screw is threaded into the support. (Fig. 2)

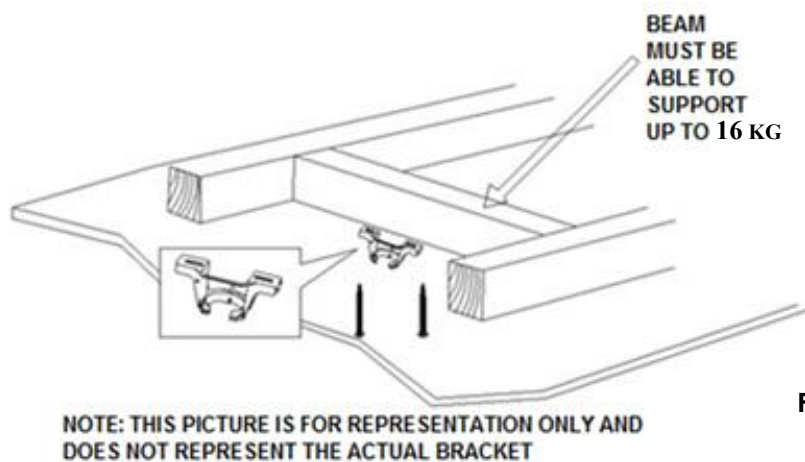


Fig. 2

**NOTE:** The bracket screws provided are for use with wooden structures only. For structures other than wood, the appropriate screw type **MUST** be used. Ensure the screws used are suitable for the mounting surface and the surrounding environment.

### ANGLED CEILING INSTALLATION

This fan hanging system supports a maximum 10 degree angled ceiling installation. (Fig. 3)

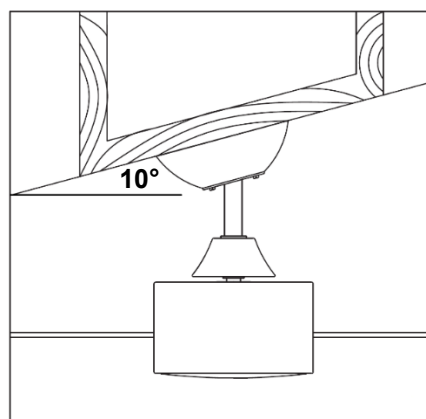


Fig. 3



**INSTALLATION OF BLADE (Fig. 4)**

1. Mount the fan blade onto the fan assembly using four blade screws with lockwashers (supplied in fan parts bag) (Fig.4).

Ensure all screws are tightened evenly to reduce the chance of warping or unbalancing.

Take care not to over tighten the screws, as this can damage the blades

**Take note the correct side of the blades with the marking “THIS SIDE UP” faces the ceiling.**

2. Repeat for the remaining one fan blade.

To secure the two fan blades to the fan assembly, tighten all screws with lockwashers.

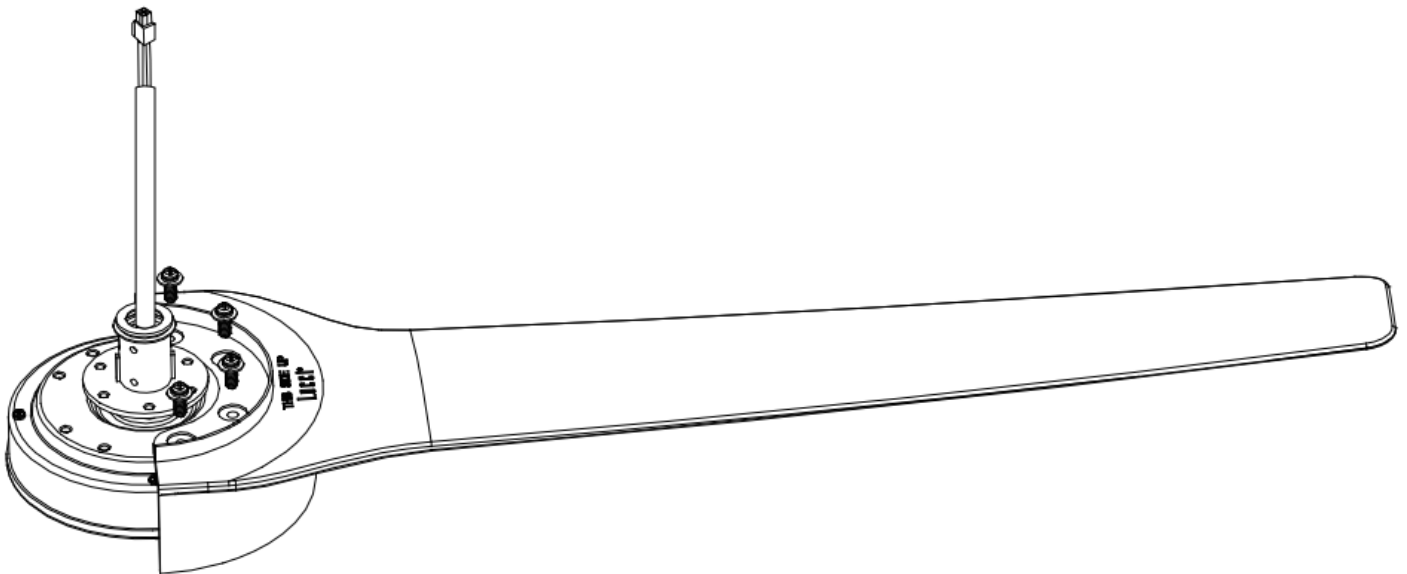


Fig. 4

**INSTALLING THE DOWN ROD (Fig. 5)**

1. Remove the ball joint (2) and dowel pin (3) by loosening the set screws (4) from the down rod (6). Remove the hitch pin (9) by removing the lock clip (10) (Fig. 5.1). **NOTE: Do not discard keep these parts, they are required to reassemble later.**

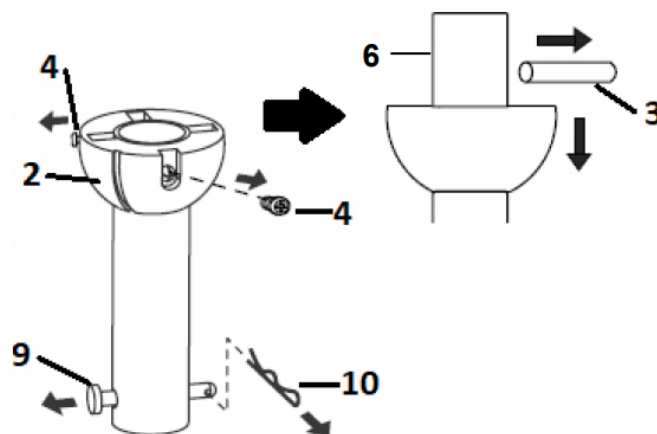
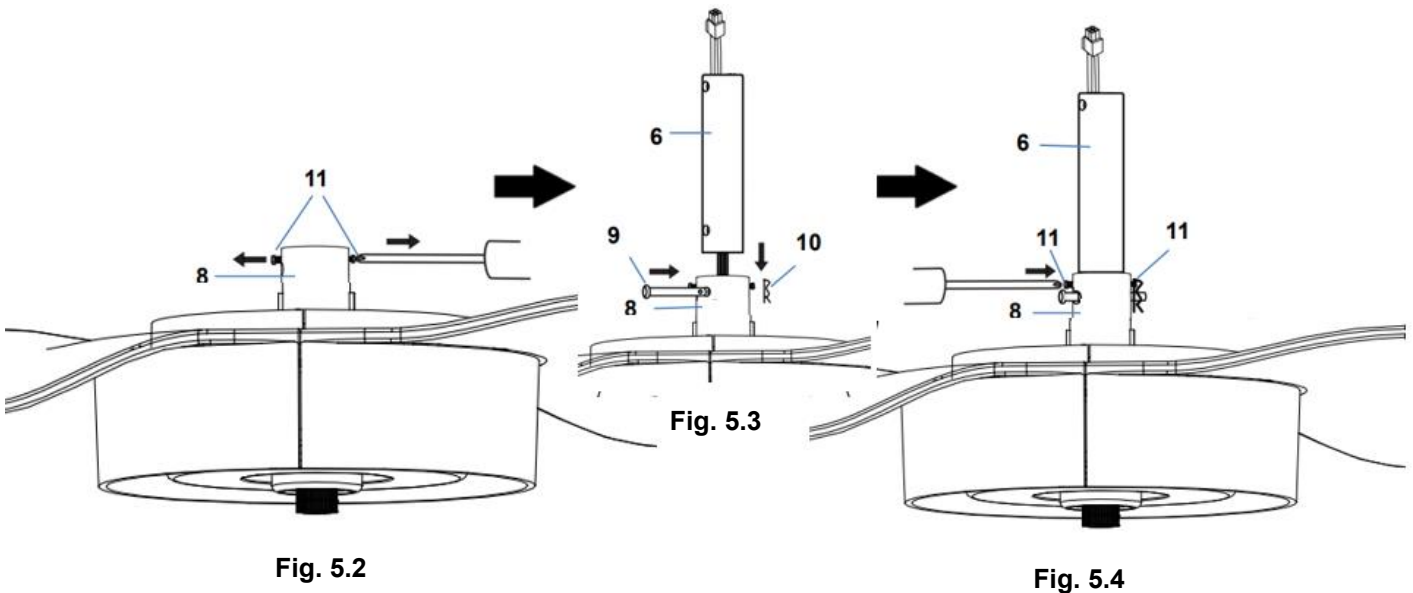


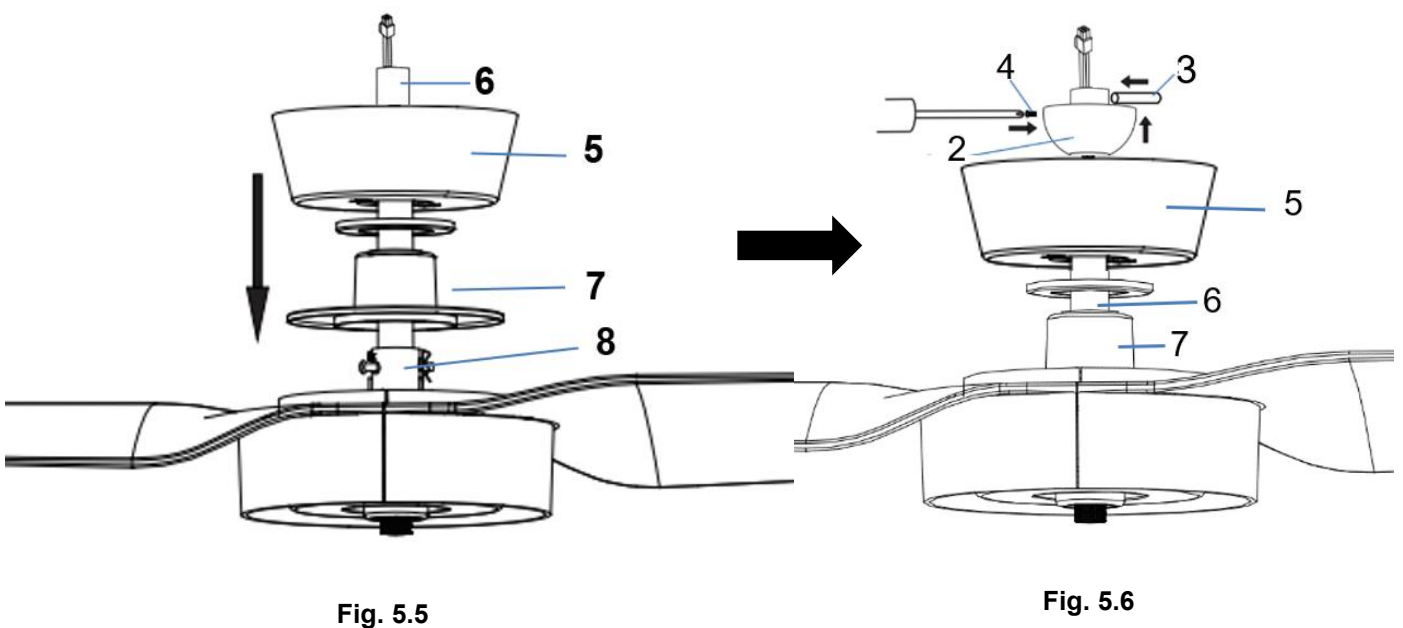
Fig. 5.1



2. Loosen the set screws (11) on the down rod coupling housing (8). (Fig. 5.2)
3. Carefully feed the fan wires (1) up through the down rod (6). (fig. 5.3)
4. Assemble the down rod (6) into the down rod coupling housing (8), by inserting and line up the down rod coupling housing holes with the down rod holes and insert the hitch pin (9) and secure with the lock clip (10). (Fig. 5.3)
5. Secure the down rod (6) by tightening the set screws (11). (Fig. 5.4)



6. Insert the decorative cover (7) onto the down rod (6) to cover the down rod coupling housing (8). (Fig. 5.5)
7. Insert the canopy cover & canopy (5) over the down rod (6) and install the ball joint (2) and dowel pin (3) back onto the down rod (6) and secure by tightening the set screws (4). (Fig. 5.5& Fig.5.6)



**INSTALLATION OF BOTTOM COVER (Fig. 6)**

- Install the bottom cover to the fan assembly then secure it by turning clockwise.

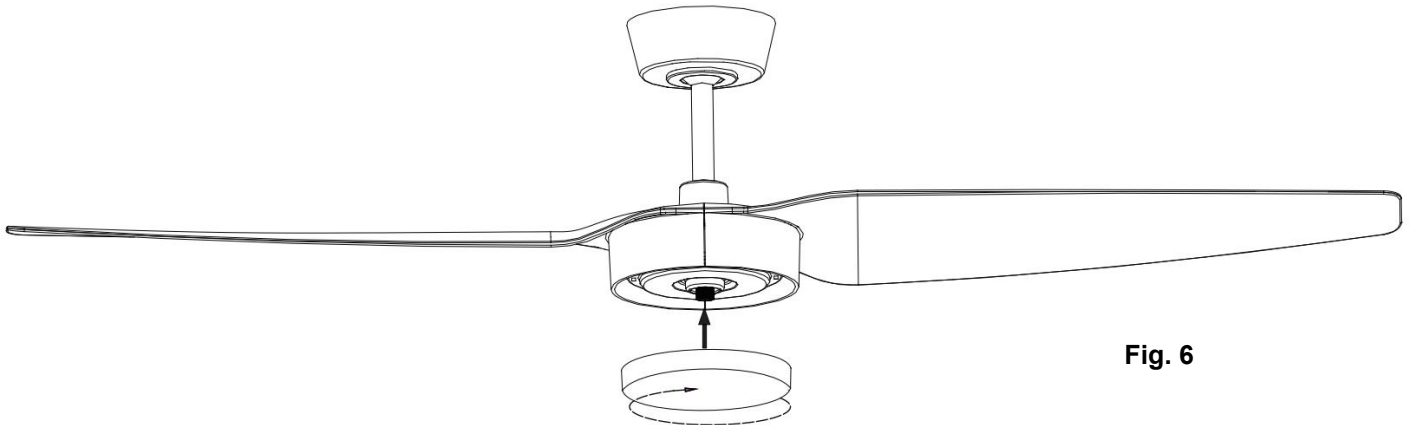


Fig. 6

**HANGING THE FAN**

Lift the fan assembly onto the mounting bracket. Ensure the key slot (A) of the hanger ball is positioned on the key pin (B) of the mounting bracket (C) to prevent the fan from rotating when in operation. (Fig. 7)

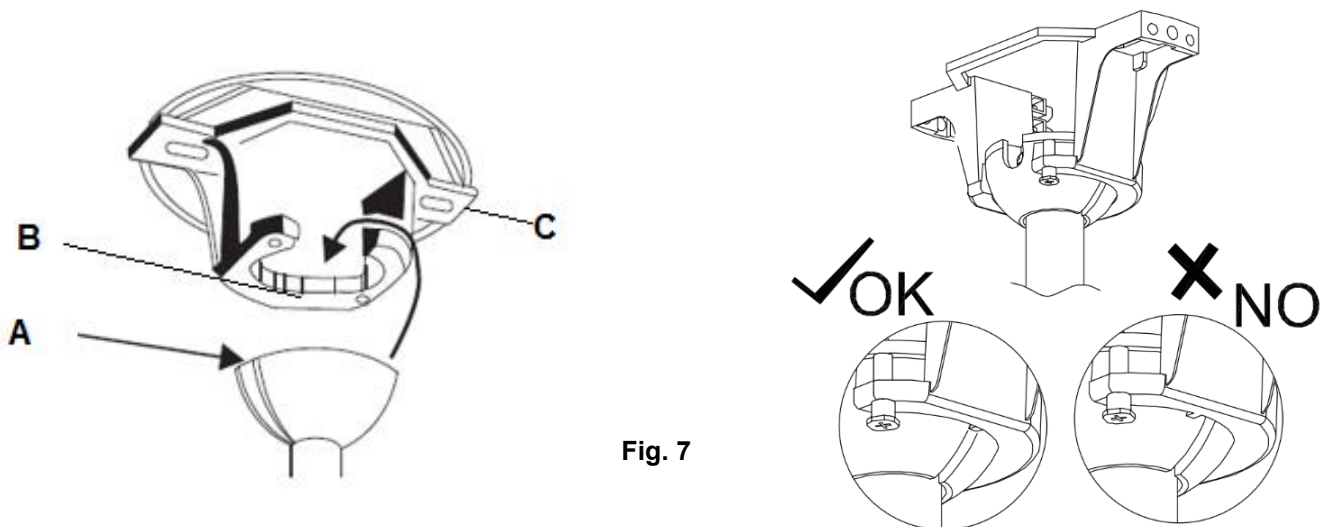


Fig. 7





**ELECTRICAL WIRING DIAGRAM THE FAN****PREPARE AND COMPLETE THE ELECTRICAL WIRING --- WIRING DIAGRAM (FIG. 8)**

**WARNING:** FOR YOUR SAFETY ALL ELECTRICAL CONNECTIONS MUST BE UNDERTAKEN BY A LICENSED ELECTRICIAN.

**NOTE:** AN ADDITIONAL ALL POLE DISCONNECTION SWITCH MUST BE INCLUDED IN THE FIXED WIRING.

**NOTE:** IF THERE ARE TWO OR MORE DC CEILING FANS INSTALLED IN THE ONE LOCATION, AN ISOLATION SWITCH IS REQUIRED FOR EACH CEILING FAN. THIS IS REQUIRED WHEN PROGRAMMING THE REMOTE AND RECEIVER TO PAIR TOGETHER.

**NOTE:** Ensure the motor earth wire is connected to the single earthing terminal block “1” in the diagram below (Fig. 8).

**From mains supply to mounting bracket terminal block: (Fig. 8)**

1. Connect the live supply wire to the “L” terminal of the terminal block on the mounting bracket.
2. Connect the neutral supply wire to “N” terminal of the terminal block on the mounting bracket.
3. Connect earth wire to the earth terminal of the terminal block on the mounting bracket.

**From mounting bracket to receiver and motor: (Fig. 8)**

4. Connect the supply wiring from the mounting bracket to the input of the DC motor receiver.
5. Connect the output wires of DC motor receiver to the input wires of the fan motor.
6. Connect the earth wire of fan motor to the single earthing terminal block “1” from mounting bracket in the diagram below.



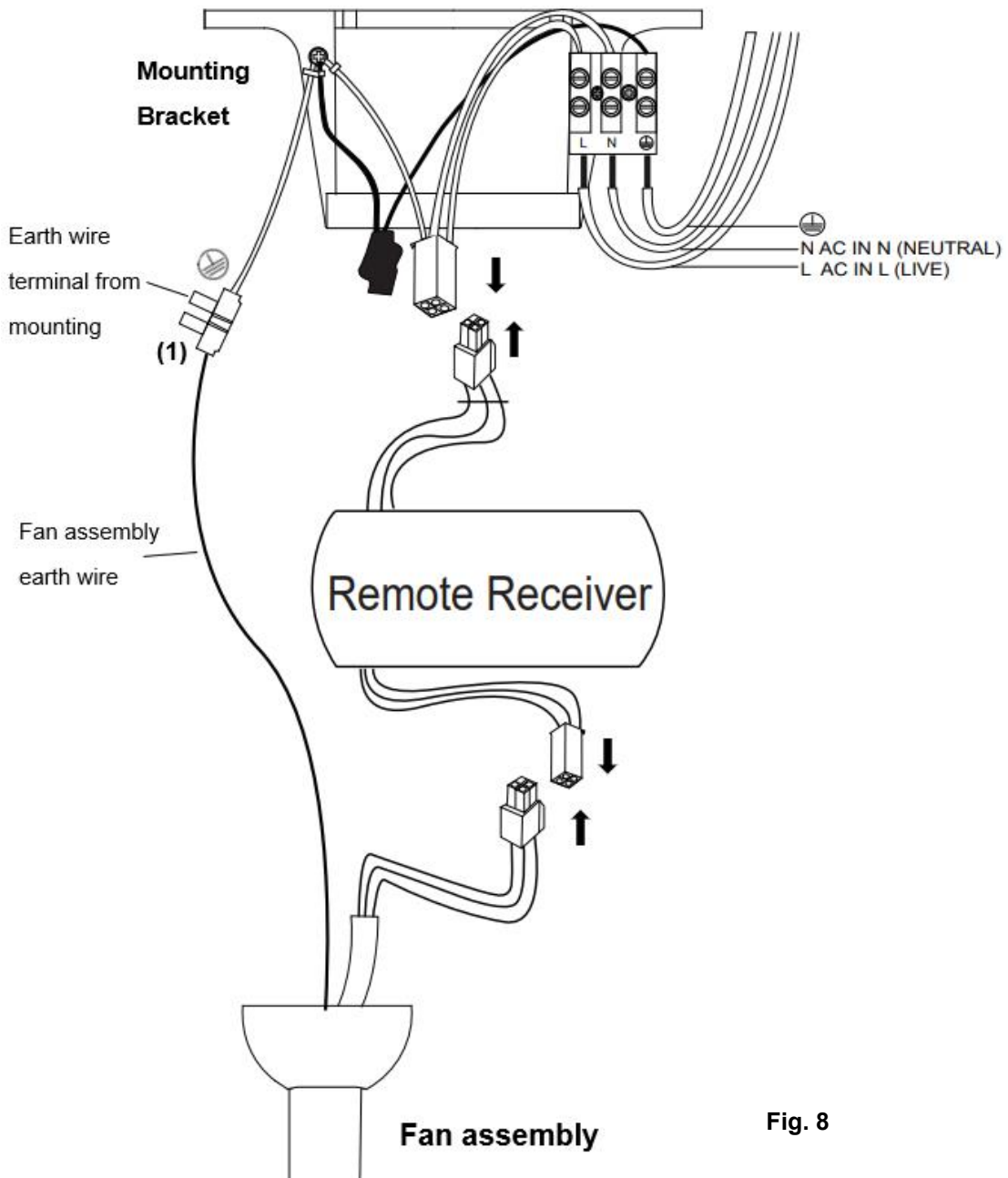


Fig. 8

Carefully insert the receiver above the hanger ball in the remainder spacing in the mounting bracket. Take care not to damage or loosen any of the wiring. (Fig. 9).

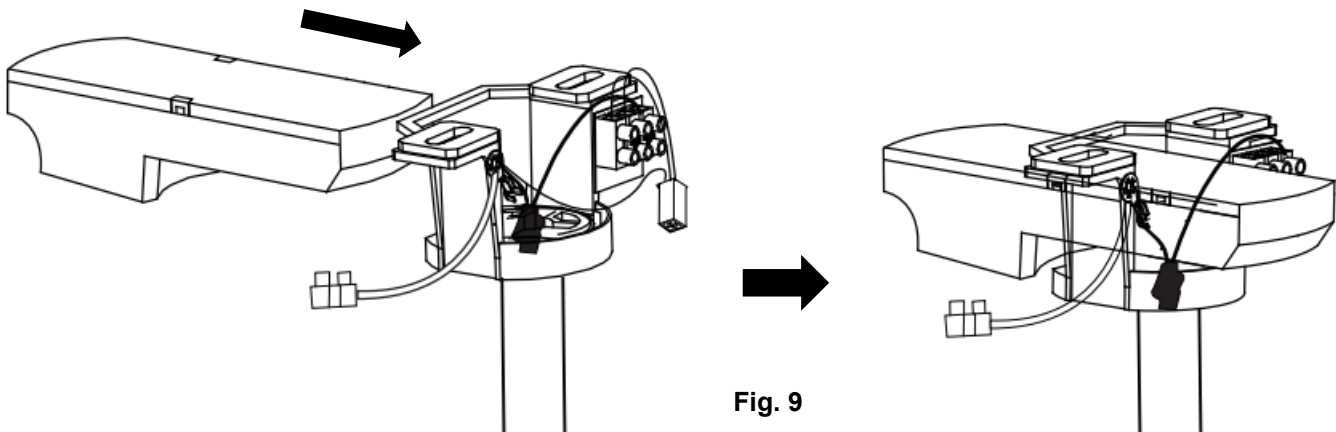


Fig. 9

**FINISHING THE INSTALLATION**

**NOTE: Ensure the earth wiring is secure and correct, by performing an earthing continuity test from the fan's accessible metal body back to the earth terminal at the terminal block on the mounting bracket.**

**INSTALLATION OF THE CANOPY (Fig. 10)**

1. Loosen the 2 screws at the bottom of the mounting bracket.
2. Slide the canopy up to the mounting bracket and align the key holes on the canopy with the screws on the mounting bracket. Turn the canopy until it locks into place with the narrow section of the key holes and secure it by tightening the two screws. Avoid damaging the electrical wiring prepared previously.
3. Slide the canopy cover up to the canopy.

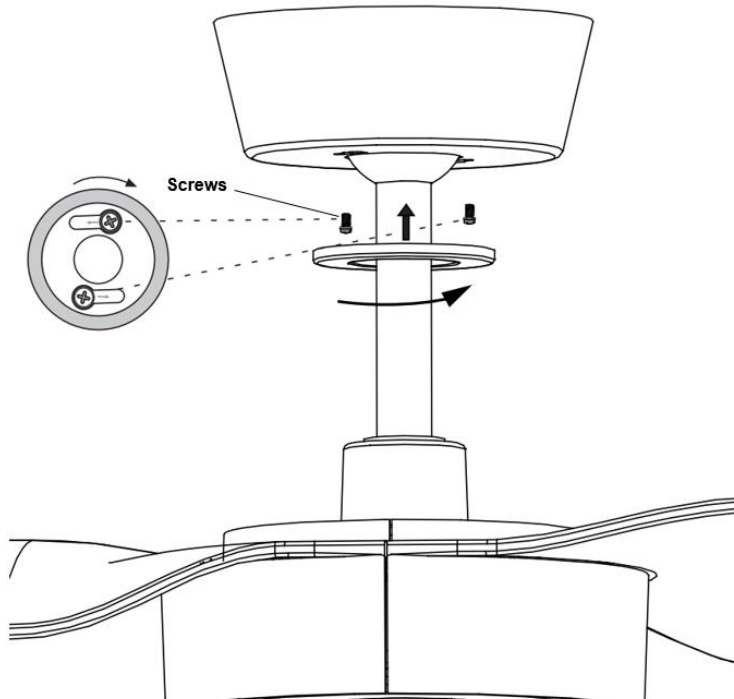


Fig. 10

**INSTALLATION OF THE REMOTE CONTROL HOLDER (Fig. 11)**

1. Locate a suitable wall to fix the remote control holder with the 2 screws. (Fig. 11a).
2. Slide the remote into the holder to rest the remote. (Fig. 11b)

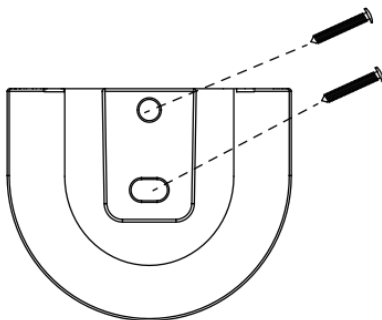


Fig. 11a

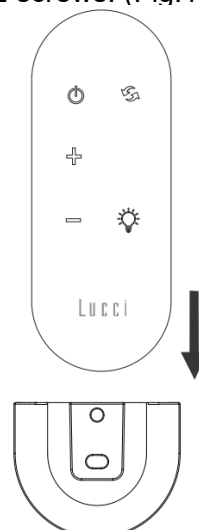


Fig. 11b








## USING YOUR CEILING FAN

### REMOTE CONTROL

1. Test the remote by touch any button. the LED indication light ring (Cool White) will be lit up at the edge of the remote to indicate that there is power to the remote and it is ready for use to control the fan.
2. Follow the guide below to operate the fan and learn the functions.



-  : **Fan Off Button**  
Touch the button to turn the fan off
-  : **Reverse Function Button**  
Touch the button to activate the reverse running function.  
The fan must be operating to activate the reverse function.
-  : **Light On /Off Button**  
Touch the button to turn on /off the light ( Remark: this CONDOR fan is without light )
-  : **Fan Increase Speed Button**  
Touch the button to increase the fan speed, the fan has total 6 speeds.
-  : **Fan Decrease Speed Button**  
Touch the button to decrease the fan speed, the fan has total 6 speeds.  
fan speed will be displayed through 6 steps of brightness –LED indication light ring on remote edge  
(Highest speed: Full brightness/ Lowest speed: Minimum brightness)

**USB-C charging port:** When charging, the LED red indication light ring on remote edge will always on to indication the battery is charging until the battery is full.

If the battery is low, when touching the buttons, the LED red indication light ring will flash one time.

**NOTE:** This remote is not supporting PD charging.



The remote has memory function. If the fan is turned off by the isolating switch over 7 seconds, the next time to turn on the fan will be on last setting

### **THE FAN RECEIVER & REMOTE PAIRING**

**NOTE: This remote is supplied with default coding, can use the fan without further pairing,**

**When the ceiling fan is installed, pairing the fan receiver and remote is NOT required.**


If required to operate the multiple fans with multiple remote control individually, then the remote /receiver need be paired. or if the remote and receiver lose control after installation or during use, the pairing of the remote and the receiver must be repaired.

When operating this pairing function, please stand within 3 meters distance to the fan.

### **PAIRING REMOTE & RECEIVER – WHEN 1 DC CEILING FAN IS INSTALLED IN ONE LOCATION**

**NOTE:** Ensure that you have installed a single pole disconnection switch in the fixed wiring for the fan.

**NOTE:** Ensure power to the receiver is ON prior to pairing the remote with the receiver.

- Turn OFF the mains supply to the fan by on/off wall switch for 30 seconds.
- Turn ON the power to the receiver.
- Press the  button on the remote for 5 seconds within 30 seconds of switching the power ON to the receiver of the ceiling fan.  
the LED white indication light ring on the remote edge will flash for twice with full brightness to indicate the pairing process is successful.  
If the fan has light kit attached, the light will flash twice to indicate the pairing process is successful.
- Turn ON the fan and change the speed of the ceiling fan via the remote to check the operation and successful pairing.
- If pairing has been unsuccessful, repeat these set of steps again.


### **PAIRING REMOTE AND RECEIVER – WHEN 2 OR MORE DC CEILING FANS ARE INSTALLED IN ONE LOCATION**

**NOTE:** Ensure that you have installed a single pole disconnection switch in the fixed wiring for each fan.

- If you want to control 2 or more ceiling fans with one remote, do as explained in the normal pairing process, but make sure all ceiling fans wall switches are turned ON.
- If you want to control them with individual remotes, do as explained in the normal pairing process, but make sure the other ceiling fans wall switches are turned OFF. After the first fan is paired turn the wall switch OFF and continue the normal pairing process with the next fan.





**RESET TO DEFAULT FOR THE REMOTE CONTROL:**

Press the  button on the remote for 15 seconds within 30 seconds of switching the power ON to the receiver of the ceiling fan. When it exceeds 5 seconds, the LED white indication light ring on the remote edge will flash for twice with full brightness for pairing, keep press the button until exceeds 15 seconds, the LED white indication light ring on the remote edge will flash again, receiver will return to the default factory setting. After resetting, the fan receivers will back to default mode and can be controlled by all remotes.

Note: when operating this reset function, please stand within 3 meters distance to the fan.

**RESET OF WIFI MODULE :**

Press the “  ” button & the “  ” button on the remote simultaneously for 10 seconds, the LED white indication light ring on the remote edge will flash for twice with full brightness.

Note: when operating this reset function, please stand within 3 meters distance to the fan.

**REPAIRING THE FAN RECEIVER & REMOTE PAIRING**

Should the remote and receiver lose control after installation or during use, the pairing of the remote and the receiver must be repaired. Below are the operating symptoms and method to repair the pairing of the DC ceiling fan remote and receiver.

**Symptoms:**

- Loss of control - Fan is only running at high speed after installation.
- Loss of control - No reverse function after installation.
- Loss of control - Remote cannot communicate with the receiver.

**Repairing Steps:**

- Switch OFF the main power to the ceiling fan for 30 seconds.
- Switch ON the main power of the ceiling fan. Follow the same process as described in the 'Pairing remote & receiver' section to repair the pairing.
- Turn on and select the different speed of the ceiling fan to check the operation of the fan.

**AFTER INSTALLATION**

**NOTE:** Ceiling fans tend to move during operation due to the fact that they are mounted on a rubber grommet. If the fan was mounted rigidly to the ceiling it would cause excessive vibration. Movement of a few centimetres is quite acceptable and DOES NOT suggest any problem.

**TO REDUCE THE FAN WOBBLE:** Please check that all screws which fix the mounting bracket and down rod are secure.

**BALANCING KIT:** A balancing kit is provided to balance the ceiling fan on initial installation. Please refer to the instruction on how to use the balancing kit. The balancing kit can be used to assist re-balancing should the ceiling fan become un-balanced again. Store your balancing kit away after installation for future use if required.

**NOISE:**

When it is quiet (especially at night) you may hear occasional small noises. Slight power fluctuations and frequency signals superimposed in the electricity for off-peak hot water control, may cause a change in fan motor noise. This is normal. Please allow a 24-hour “settling-in” period, most noises associated with a new fan disappear during this time.

The manufacturer’s warranty covers actual faults that may develop and NOT minor complaints such as hearing the motor run – All electric motors are audible to some extent.

**CARE & CLEANING**

**NOTE: Always turn OFF the power at the mains switch before performing any maintenance or attempting to clean your fan.**

- Every 6 months periodic cleaning of your ceiling fan is the only maintenance required. Use a soft brush or lint free cloth to avoid scratching the paint finish. Please turn off electricity power when you do so.
- Do not soak or immerse your ceiling fan in the water or other liquids. It could damage the motor or the blades and create the possibility of an electrical shock.
- Ensure that the fan does not come in contact with any organic solvents or cleaners.
- To clean the fan blade, wipe with only a damp clean cloth with NO organic solvents or cleaners.
- The motor has a permanently lubricated ball bearing so there is no need to oil.
- This remote contains a rechargeable Li-ion battery that is non-replaceable.

**TECHNICAL INFORMATION**

Fan	54” CONDOR DC fan
Fan Models	SKU# 216153 / SKU#216154/ SKU#216155
Rated Voltage	220-240V~ 50Hz
Rated Wattage (Motor)	32W
Rated wattage (Lamp)	N/A
Battery for remote	Rechargeable Li-ion battery (Non-replaceable, USB-C charging)
Weight	3.9kg
Canopy Dimensions	H:52mm Dia:146mm



## LUCCI CEILING FAN WARRANTY DETAIL

### LUCCI FAN WARRANTY CONTACT INFORMATION:

Online Warranty Form: <https://www.beaconlighting.com.au/warranty-claims>

Email: [warranty@beaconlighting.com.au](mailto:warranty@beaconlighting.com.au)

Lucci Fan Warranty Hotline: (Free Call) 1800 602 243

### THIS WARRANTY IS VALID IN AUSTRALIA ONLY

In the event of service being required, please call the Lucci Fan Warranty Hotline on 1800 602 243 between 9am & 5pm (EST) Monday to Friday. Please make sure you have all the ceiling fan details filled out at the end of the manual before making the call.

Every Lucci ceiling fan is thoroughly inspected and tested before being released for sale. In addition to any warranty rights or conditions under statutory regulations, Lucci warrants all its ceiling fans against defective workmanship and faulty materials for two (2) years from the date of purchase. Following this, an additional seven (7) years motor replacement warranty applies. Lucci undertakes, at its option, to repair or replace, free of charge, each product or part thereof on condition that;

1. The fan or relevant part has not been subjected to misuse, neglect, or been involved in an accident.
2. The repairs are not required as a result of normal wear and tear.
3. The product was installed by a licensed electrical contractor.
4. A copy of the original receipt of purchase is presented.
5. 12 month warranty applies when used in any non-domestic applications.
6. This warranty does not cover stains, scratch and scuff marks, or dents if the product is purchased through a factory outlet or to refurbished items.

Our goods come with guarantees that cannot be excluded under the Australian Consumer Law. You are entitled to a replacement or refund for a major failure and compensation for any other reasonably foreseeable loss or damage. You are also entitled to have the goods repaired or replaced if the goods fail to be of acceptable quality and the failure does not amount to a major failure.

**Lucci Design cannot be held responsible for any repair other than those carried out by it or one of its Authorised Service Agents. Please keep this warranty information in a safe place. This information must be produced in the event of service being required.**

#### Distributed by:

Beacon Lighting

140 Fulton Drive

Derrimut, Victoria, 3026, Australia

Ph +613 9368 1000

Email: [warranty@beaconlighting.com.au](mailto:warranty@beaconlighting.com.au)



This fan is suitable for indoor, alfresco and coastal areas where the fan is fully undercover with a minimum of 1 walls. This fan is not waterproof. When installed in an alfresco or coastal area, the ceiling fan must be positioned in a location protected from water, wind and dust. Exposure to these elements will void the warranty. Mounting the fan in a situation where it is subject to water or moisture is dangerous.



# CEILING FAN WARRANTY INFORMATION

## LUCCI FAN WARRANTY CONTACT INFORMATION:

Online Warranty Form: <https://www.beaconlighting.com.au/warranty-claims>

Email: [warranty@beaconlighting.com.au](mailto:warranty@beaconlighting.com.au)

Lucci Fan Warranty Hotline: (Free Call) 1800 602 243

Complete and retain this form for your personal records and warranty purposes.

NAME.....

ADDRESS.....

.....POSTCODE.....

MODEL NUMBER.....

(PO# + DATECODE Sticker here)

PO NUMBER or DATECODE .....

DATE OF PURCHASE.....


INSTALLING LICENSED ELECTRICIAN.....

.....

LICENCE No.....

ATTACH PROOF OF PURCHASE HERE

THIS COMPLETED DETAIL PAGE SHOULD BE PRODUCED AND SENT TO THE WHOLESALE OR THEIR AUTHORISED AGENTS BEFORE OBTAINING WARRANTY SERVICE



This fan is suitable for indoor, alfresco and coastal areas where the fan is fully undercover with a minimum of 1 walls. This fan is not waterproof. When installed in an alfresco or coastal area, the ceiling fan must be positioned in a location protected from water, wind and dust. Exposure to these elements will void the warranty. Mounting the fan in a situation where it is subject to water or moisture is dangerous.