



PRODUCT FEATURES

- Modular downlight unit consist of dual-lumen output & dual-CCT LED light engine and a reflector or diffuser bezel.
- The modular components design allows the assembly in-situ with toolless installation
- The flexibility modular design enables a faster delivery period for customer requirements, which is an ideal solution for short lead time projects
- Offer high cut-off angle for better glare control in reflector version
- Toolless terminal block facilitate easy installation and maintenance, and through wiring possible
- Wide range of sizes allow retrofit for many conventional downlights in existing ceiling cut-outs
- Delivery of wide and uniform light distribution
- Flicker free $\leq 3\%$ to avoid eye fatigue
- IP54 rated for damp location such as bathroom and kitchen

APPLICATIONS

- Bathrooms
- Hotels
- Kitchens
- Offices
- Restaurants
- Retails



Integrated LED Downlight

PRODUCT DATASHEET

FDL71400v1-ds/sc+830840+WH

Cutout D150 2300/1800lm 23/18W 3000k/4000k 90° Non-dim Diffuser
IP54

PRODUCT INFORMATION

Model Number	FDL71400v1-ds/sc
Product Code	FDL71400v1-ds/sc+830840+WH
MM Code	MM10689

ELECTRICAL INFORMATION

Input Voltage	220-240 VAC
Frequency	50/60 Hz
Input Current	127/100 mA
Power	23/18 W
Power Factor	>0.9
Inrush Current	27.6 A
Inrush Duration	2.56 μ s

DIMMING AND CONTROLS

Dimmability	Non-Dim
-------------	---------

PHOTOMETRICAL INFORMATION

Luminous Flux	2140/1670 @3000K 2300/1800 @4000K
Luminous Efficacy	93/93@3000K 100/100@4000K lm/W
Colour Temp	3000/4000 K
CRI	> Ra80
Beam Angle	100 °
Beam Angle Selectable	No
UGR	26
Colour Consistency	\leq 4
Max. intensity	800/600
Central intensity	800/600
Flickering	\leq 3% @100Hz
SVM	<0.1
P _{ST} LM	< 1.0

LIFE PERFORMANCE

Lifetime	50,000hrs L80B10@Ta25°C
Number of Switching Cycles	100,000

STANDARDS AND APPLICATION

IP	IP20/IP54
Protection Class	CL II
Glow Wire	850 °C
Energy Class	A+
Standards Compliance	IEC/EN60598-1, IEC/EN60598-2-2

INSTALLATION AND CAPABILITIES

Installation	Recessed
Covered by insulation material	not cover with thermal material
Min. Distance from Lighted Object	0.1 mm

Integrated LED Downlight

PRODUCT DATASHEET

FDL71400v1-ds/sc+830840+WH

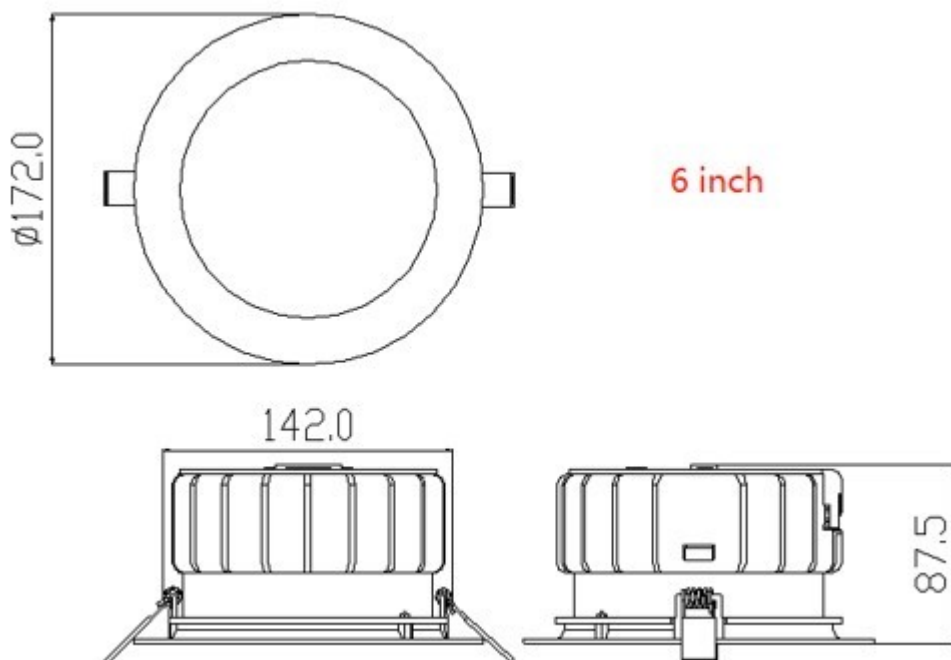
Cutout D150 2300/1800lm 23/18W 3000k/4000k 90° Non-dim Diffuser IP54

B10	20
B16	32
C10	33
C16	55

MECHANICAL AND MATERIAL

Optics Material	Polycarbonate
Housing Material	Aluminium+Polycarbonate
Housing Colour	WH26
Diameter	Ø172 mm
Height	87 mm
Weights	550 g

DIMENSIONAL DRAWING

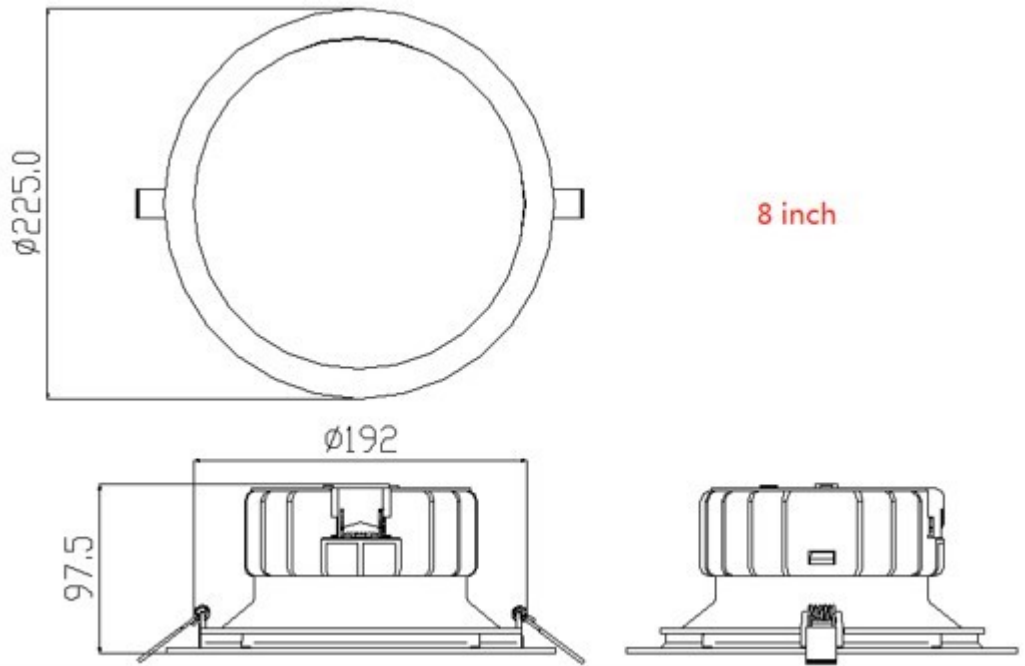


MILENA

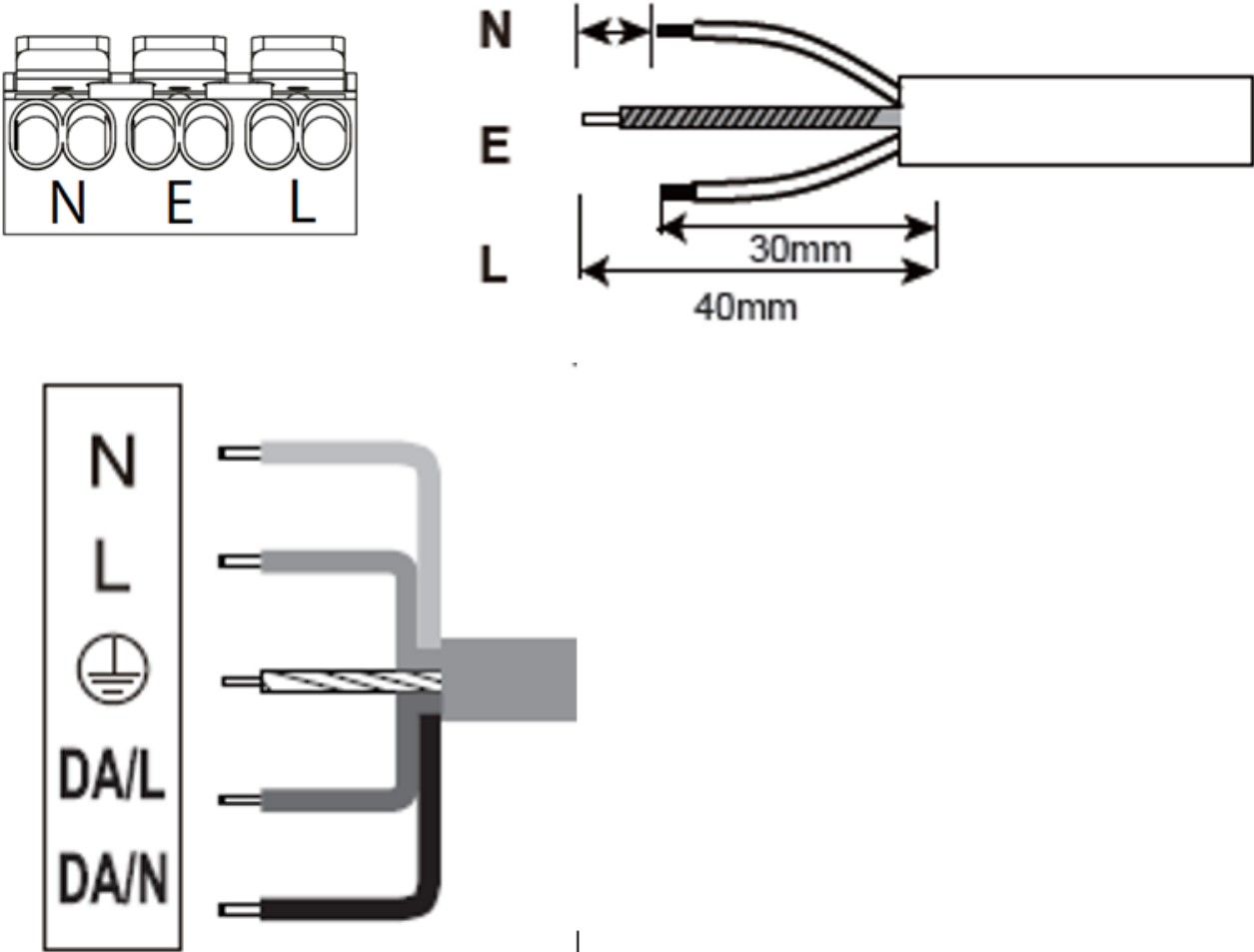
Integrated LED Downlight

FDL71400v1-ds/sc+830840+WH

Cutout D150 2300/1800lm 23/18W 3000k/4000k 90° Non-dim Diffuser
IP54



WIRING DIAGRAM



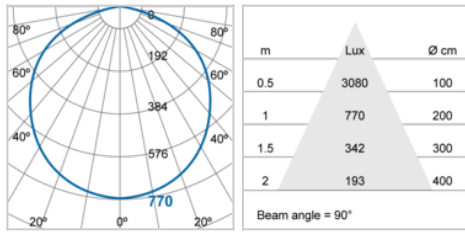
Integrated LED Downlight

FDL71400v1-ds/sc+830840+WH

PRODUCT DATASHEET

Cutout D150 2300/1800lm 23/18W 3000k/4000k 90° Non-dim Diffuser
IP54

PHOTOMETRIC DIAGRAM



LOGISTIC INFORMATION

MM Code	Packaging Unit	Outer Box Dimensions			Gross Weight per Outer Box
		L	W	H	
	pcs/unit	mm	mm	mm	kg
MM10689	16	730	232	395	