

MR16

Reflector Lamps

ER208057-HRv00-WF+GU5.3+840+AD012



PRODUCT DATASHEET



PRODUCT FEATURES

- MEGAMAN® LED MR16 reflector has the same compact profile as halogen MR16 and delivers superb lighting performance, excellent light efficiency and better glare control for both accent and ambient lighting applications
- Ultra RichColour (CRI 97) maximizes the richness and quality of colours, especially red colour rendition (R9) of > 75
- Dim-to-Warm options available to perfectly simulate the characteristics of incandescent and halogen lamps in terms of the outlook, size, and lighting effect to offer lighting performance that is familiar to consumers
- Constant current MR16 works with DALI, DSI, 1-10V dimming drivers, it works with MEGAMAN® driver which drive 3pcs of lamp with synchronized start-up time
- Work well with AC 12V halogen transformers and generate much less heat
- Extremely long lifetime of 40,000 hours

APPLICATIONS

- Art Galleries
- Gardens
- Hotels
- Retail Displays
- Showcase Displays



GENERAL INFORMATION

Model Number	ER208057-HRv00-WF
Product Code	ER208057-HRv00-WF+GU5.3+840+AD012
Cap Base	GU5.3
Dimmable	No
Warm Up Time 60% of Full Light	Instant
Starting Time	< 0.5 s
Working Temperature	-30°C to +45°C
Housing Colour	White
Cover Design	Hybrid Reflector
Flammability of Plastic Component	≥ V2
Series	MR16

LIFE PERFORMANCE

Lifetime (L70 B50)	15000
Number of Switching Cycles	> 100000

ELECTRICAL DATA

Input Voltage	12 V
Power Factor	≥ 0.50
Equivalent Wattage	41 W
Power	5.7 W
Input Current	660 mA

PHOTOMETRICAL INFORMATION

Luminous Flux	530 lm
Luminous Flux in 90° Cone	450 lm
Luminous Efficacy	93 lm/W
Colour Temperature	4000 K
Colour Consistency	6
CRI	Ra80
Beam Angle	36°
Maximum Luminous Intensity	800 cd
Flickering	≤ 3% at 100Hz
Chromaticity Coordinates (x and y)	0.382, 0.380

CERTIFICATES & STANDARDS

Weighted Energy Consumption	6
Energy Class	F
Photobiological Safety Group	RG1

MR16

Reflector Lamps

ER208057-HRv00-WF+GU5.3+840+AD012

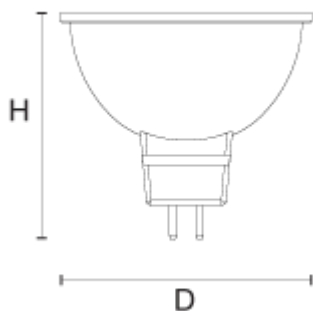
Approvals

CE, RoHS

Standards Compliance

IEC/EN 62838, IEC/EN 62493, IEC/EN 62471, ErP 2019/2020, IEC 62717, IEC CISPR15, EN 55015, IEC/EN 61547, IEC/EN 61000-3-2, IEC/EN 61000-3-3

DIMENSIONS & WEIGHT



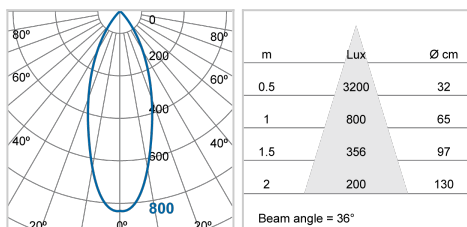
Width (W) 50 mm

Height (H) 46 mm

Diameter (D) 50 mm

Weight 41 g

PHOTOMETRIC DIAGRAM



LOGISTIC INFORMATION

MM Code	Packaging Unit	Outer Box Dimensions			Gross Weight per Outer Box
		L	W	H	
	pcs/unit	mm	mm	mm	kg
709892/MM09892	1	51	51	65	0.06
	60	281	234	242	3.95