



### PRODUCT FEATURES

- Modular downlight unit consist of dual-lumen output & dual-CCT LED light engine and a reflector or diffuser bezel.
- The modular components design allows the assembly in-situ with toolless installation
- The flexibility modular design enables a faster delivery period for customer requirements, which is an ideal solution for short lead time projects
- Offer high cut-off angle for better glare control in reflector version
- Toolless terminal block facilitate easy installation and maintenance, and through wiring possible
- Wide range of sizes allow retrofit for many conventional downlights in existing ceiling cut-outs
- Delivery of wide and uniform light distribution
- Flicker free  $\leq 3\%$  to avoid eye fatigue
- IP54 rated for damp location such as bathroom and kitchen



### APPLICATIONS

- Bathrooms
- Hotels
- Kitchens
- Offices
- Restaurants
- Retails

### GENERAL INFORMATION

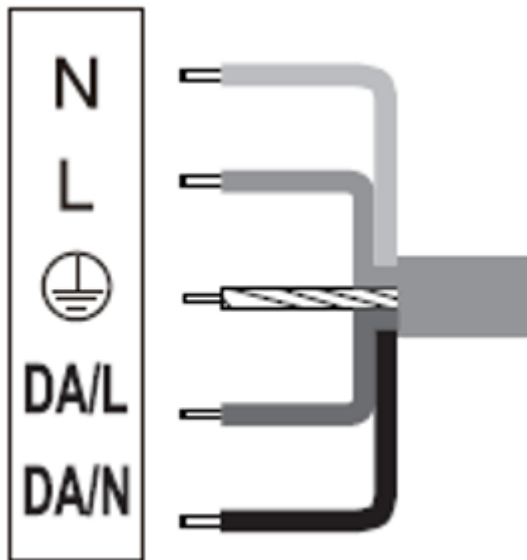
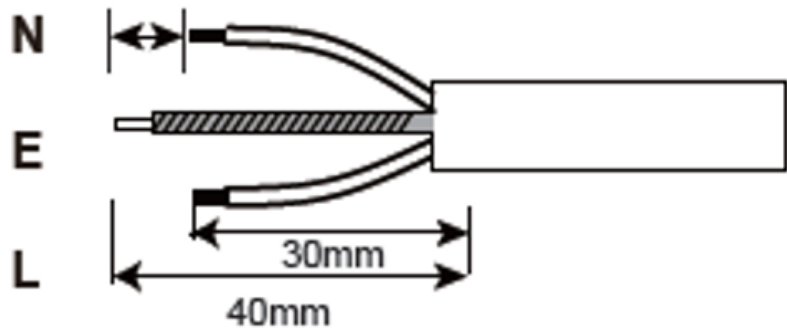
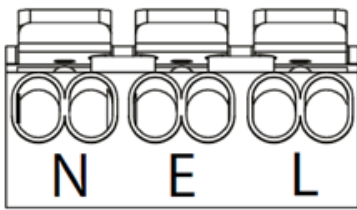
Input Voltage / Frequency	220-240 VAC / 50/60
Power Factor	1, >0.9
Dimmability	Non-Dim
CRI	> Ra80
Colour Consistency	≤4
Lifetime	50,000hrs L80B10@Ta25°C
Number of Switching Cycles	100,000
IP	IP20/IP54
Protection Class	CL I, CL II, CL III
Glow Wire	850
Flickering percentage	≤3% @100Hz
Material & Colour	Aluminium+Polycarbonate / WH26
Installation	Recessed

### PRODUCT INFORMATION

Model no.	MM Code	Power	Luminous Flux	Luminous Efficacy	Colour Temp. K
		W	lm	lm/W	
FDM70600v0-ds/sc	MM10708	9/6.5	830/600 @3000K 900/650 @4000K	92/92@3000K 100/100@4000K	3000/4000
FDM70700v0-ds/sc	MM10709	9/6.5	770/560 @3000K 830/600 @4000K	92/86@3000K 92/86@4000K	3000/4000
FDL71300v0-ds/sc	MM10627	16/10	1450/930 @3000K 1600/1000 @4000K	91/93@3000K 100/100@4000K	3000/4000
FDL71400v0-ds/sc	MM10625	16/10	1450/930 @3000K 1600/1000 @4000K	91/93@3000K 100/100@4000K	3000/4000
FDL71300v1-ds/sc	MM10692	23/18	2230/1670 @3000K 2400/1800 @4000K	97/93@3000K 104/100@4000K	3000/4000
FDL71400v1-ds/sc	MM10689	23/18	2140/1670 @3000K 2300/1800 @4000K	93/93@3000K 100/100@4000K	3000/4000
FDL71500v0-ds/sc	MM10628	23/18	2230/1670 @3000K 2400/1800 @4000K	97/93@3000K 104/100@4000K	3000/4000
FDL71600v0-ds/sc	MM10626	23/18	2140/1670 @3000K 2300/1800 @4000K	93/93@3000K 100/100@4000K	3000/4000
FDL71300v2-ds/sc	MM10693	25/19.5	2500/1860 @3000K 2700/2000 @4000K	100/95@3000K 108/103@4000K	3000/4000
FDL71400v2-ds/sc	MM10690	25/19.5	2320/1860 @3000K 2500/2000 @4000K	93/95@3000K 100/103@4000K	3000/4000
FDL71500v1-ds/sc	MM10694	25/19.5	2500/1860 @3000K 2700/2000 @4000K	100/95@3000K 108/103@4000K	3000/4000
FDL71600v1-ds/sc	MM10691	25/19.5	2320/1860 @3000K 2500/2000 @4000K	93/95@3000K 100/103@4000K	3000/4000
FDM70600v0-ex/sc	MM10708	7.8	830@3000K 900@4000K	106@3000K 115@4000K	3000/4000
FDM70700v0-ex/sc	MM10709	7.8	770@3000K 830@4000K	99@3000K 106@4000K	3000/4000

FDL71300v0-ex/sc	MM10726	23.2	2500@3000K 2700@4000K	107@3000K 116@4000K	3000/4000
FDL71400v0-ex/sc	-	23.2	2320@3000K 2500@4000K	100@3000K 107@4000K	3000/4000
FDL71500v0-ex/sc	MM10727	23.2	2500@3000K 2700@4000K	107@3000K 116@4000K	3000/4000
FDL71600v0-ex/sc	-	23.2	2320@3000K 2500@4000K	100@3000K 107@4000K	3000/4000
FDL71300v0-ex/sc+LD232037/da/mc-C0950	-	27	2500@3000K 2700@4000K	93@3000K 100@4000K	3000/4000
FDL71500v0-ex/sc+LD232037/da/mc-C0950	MM11001	27	2500@3000K 2700@4000K	93@3000K 100@4000K	3000/4000
FDL71400v0-ex/sc+LD232037/da/mc-C0950	-	27	2320@3000K 2500@4000K	100@3000K 107@4000K	3000/4000
FDL71600v0-ex/sc+LD232037/da/mc-C0950	-	27	2320@3000K 2500@4000K	100@3000K 107@4000K	3000/4000

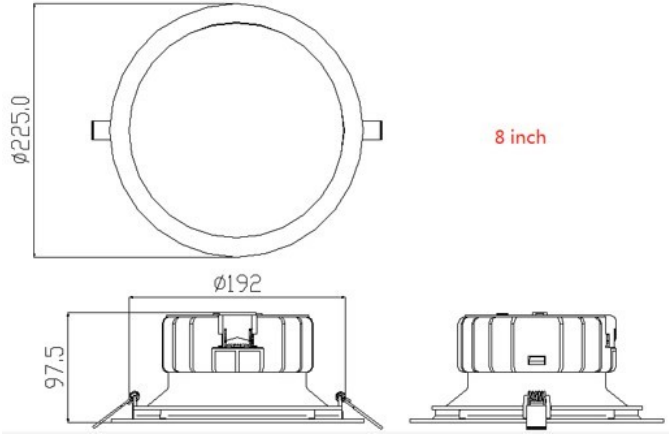
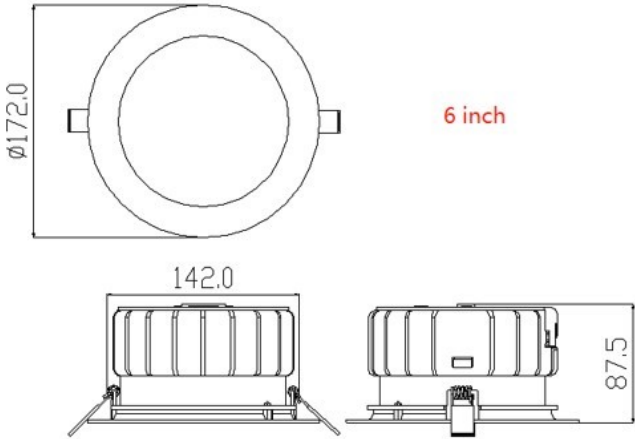
### WIRING DIAGRAM



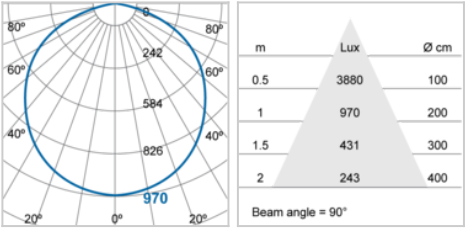
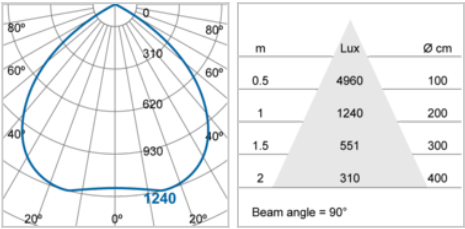
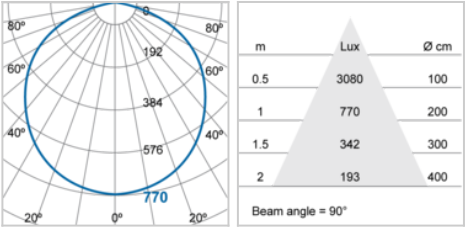
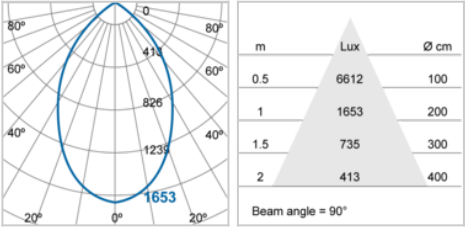
Model no.	Inrush Current	Inrush Duration	Max. No. of Luminaire Connection on MCB			
	A	µs	B10	B16	C10	C16
FDM70600v0-ds/sc	5	40	-	-	-	-
FDM70700v0-ds/sc	5	40	-	-	-	-
FDL71300v0-ds/sc	25.8	2.2	22	34	36	59
FDL71400v0-ds/sc	25.8	2.2	22	34	36	59
FDL71300v1-ds/sc	27.6	2.56	20	32	33	55
FDL71400v1-ds/sc	27.6	2.56	20	32	33	55
FDL71500v0-ds/sc	27.6	2.56	20	32	33	55
FDL71600v0-ds/sc	27.6	2.56	20	32	33	55
FDL71300v2-ds/sc	30	2.56	19	30	31	50
FDL71400v2-ds/sc	30	2.56	19	30	31	50
FDL71500v1-ds/sc	30	2.56	19	30	31	50
FDL71600v1-ds/sc	30	2.56	19	30	31	50
FDM70600v0-ex/sc	-	-	-	-	-	-
FDM70700v0-ex/sc	-	-	-	-	-	-
FDL71300v0-ex/sc	-	-	-	-	-	-
FDL71400v0-ex/sc	-	-	-	-	-	-
FDL71500v0-ex/sc	-	-	-	-	-	-
FDL71600v0-ex/sc	-	-	-	-	-	-
FDL71300v0-ex/sc+LD232037/da/mc-C0950	11	50	33	52	54	88
FDL71500v0-ex/sc+LD232037/da/mc-C0950	11	50	33	52	54	88
FDL71400v0-ex/sc+LD232037/da/mc-C0950	11	50	33	52	54	88
FDL71600v0-ex/sc+LD232037/da/mc-C0950	11	50	33	52	54	88

### DIMENSIONS & WEIGHT

Model no.	L	W	H	Weight
	mm	mm	mm	g
FDM70600v0-ds/sc	-	-	87	270
FDM70700v0-ds/sc	-	-	87	250
FDL71300v0-ds/sc	-	-	87	540
FDL71400v0-ds/sc	-	-	87	550
FDL71300v1-ds/sc	-	-	87	540
FDL71400v1-ds/sc	-	-	87	550
FDL71500v0-ds/sc	-	-	97	630
FDL71600v0-ds/sc	-	-	97	620
FDL71300v2-ds/sc	-	-	87	540
FDL71400v2-ds/sc	-	-	87	550
FDL71500v1-ds/sc	-	-	97	630
FDL71600v1-ds/sc	-	-	97	620
FDM70600v0-ex/sc	-	-	87	-
FDM70700v0-ex/sc	-	-	87	-
FDL71300v0-ex/sc	-	-	87	510
FDL71400v0-ex/sc	-	-	87	520
FDL71500v0-ex/sc	-	-	97	600
FDL71600v0-ex/sc	-	-	97	590
FDL71300v0-ex/sc+LD232037/da/mc-C0950	-	-	87	760
FDL71500v0-ex/sc+LD232037/da/mc-C0950	-	-	97	850
FDL71400v0-ex/sc+LD232037/da/mc-C0950	-	-	87	770
FDL71600v0-ex/sc+LD232037/da/mc-C0950	-	-	97	840



PHOTOMETRIC DIAGRAM



### LOGISTIC INFORMATION

Model no.	Packaging Unit pcs/unit	Outer Box Dimensions			Gross Weight per Outer Box kg
		L mm	W mm	H mm	
FDM70600v0-ds/sc		-	-	-	-
FDM70700v0-ds/sc		-	-	-	-
FDL71300v0-ds/sc	16	730	232	395	-
FDL71400v0-ds/sc	16	730	232	395	-
FDL71300v1-ds/sc	16	730	232	395	-
FDL71400v1-ds/sc	16	730	232	395	-
FDL71500v0-ds/sc	12	712	240	501	-
FDL71600v0-ds/sc	12	712	240	501	-
FDL71300v2-ds/sc	16	730	232	395	-
FDL71400v2-ds/sc	16	730	232	395	-
FDL71500v1-ds/sc	12	712	240	501	-
FDL71600v1-ds/sc	12	712	240	501	-
FDM70600v0-ex/sc		-	-	-	-
FDM70700v0-ex/sc		-	-	-	-
FDL71300v0-ex/sc	16	730	232	395	-
FDL71400v0-ex/sc	16	730	232	395	-
FDL71500v0-ex/sc	12	712	240	501	-
FDL71600v0-ex/sc	12	712	240	501	-
FDL71300v0-ex/sc+LD232037/da/mc-C0950	12	406	333	448	10.3
FDL71500v0-ex/sc+LD232037/da/mc-C0950	8	466	252	500	8.4
FDL71400v0-ex/sc+LD232037/da/mc-C0950	12	406	333	448	10.3
FDL71600v0-ex/sc+LD232037/da/mc-C0950	8	466	252	500	8.4