



PRODUCT FEATURES

- Modular downlight unit consist of dual-lumen output & dual-CCT LED light engine and a reflector or diffuser bezel.
- The modular components design allows the assembly in-situ with toolless installation
- The flexibility modular design enables a faster delivery period for customer requirements, which is an ideal solution for short lead time projects
- Offer high cut-off angle for better glare control in reflector version
- Toolless terminal block facilitate easy installation and maintenance, and through wiring possible
- Wide range of sizes allow retrofit for many conventional downlights in existing ceiling cut-outs
- Delivery of wide and uniform light distribution
- Flicker free $\leq 3\%$ to avoid eye fatigue
- IP54 rated for damp location such as bathroom and kitchen

APPLICATIONS

- Bathrooms
- Hotels
- Kitchens
- Offices
- Restaurants
- Retails



Integrated LED Downlight

PRODUCT DATASHEET

FDL71400v0-ds/sc+830840+WH

Cutout D150 1600/1000lm 16/10W 3000k/4000k 90° Non-dim Diffuser
IP54

PRODUCT INFORMATION

Model Number	FDL71400v0-ds/sc
Product Code	FDL71400v0-ds/sc+830840+WH
MM Code	MM10625

ELECTRICAL INFORMATION

Input Voltage	220-240 VAC
Frequency	50/60 Hz
Input Current	89/56 mA
Power	16/10 W
Power Factor	>0.9
Inrush Current	25.8 A
Inrush Duration	2.2 µs

DIMMING AND CONTROLS

Dimmability	Non-Dim
-------------	---------

PHOTOMETRICAL INFORMATION

Luminous Flux	1450/930 @3000K 1600/1000 @4000K
Luminous Efficacy	91/93@3000K 100/100@4000K lm/W
Colour Temp	3000/4000 K
CRI	> Ra80
Beam Angle	100 °
Beam Angle Selectable	No
UGR	26
Colour Consistency	≤4
Max. intensity	550/350
Central intensity	550/350
Flickering	≤3% @100Hz
SVM	< 0.1
P _{ST} LM	< 1.0

LIFE PERFORMANCE

Lifetime	50,000hrs L80B10@Ta25°C
Number of Switching Cycles	100,000

STANDARDS AND APPLICATION

IP	IP20/IP54
Protection Class	CL II
Glow Wire	850 °C
Energy Class	A+
Standards Compliance	IEC/EN60598-1, IEC/EN60598-2-2

INSTALLATION AND CAPABILITIES

Installation	Recessed
Covered by insulation material	not cover with thermal material
Min. Distance from Lighted Object	0.1 mm

Integrated LED Downlight

PRODUCT DATASHEET

FDL71400v0-ds/sc+830840+WH

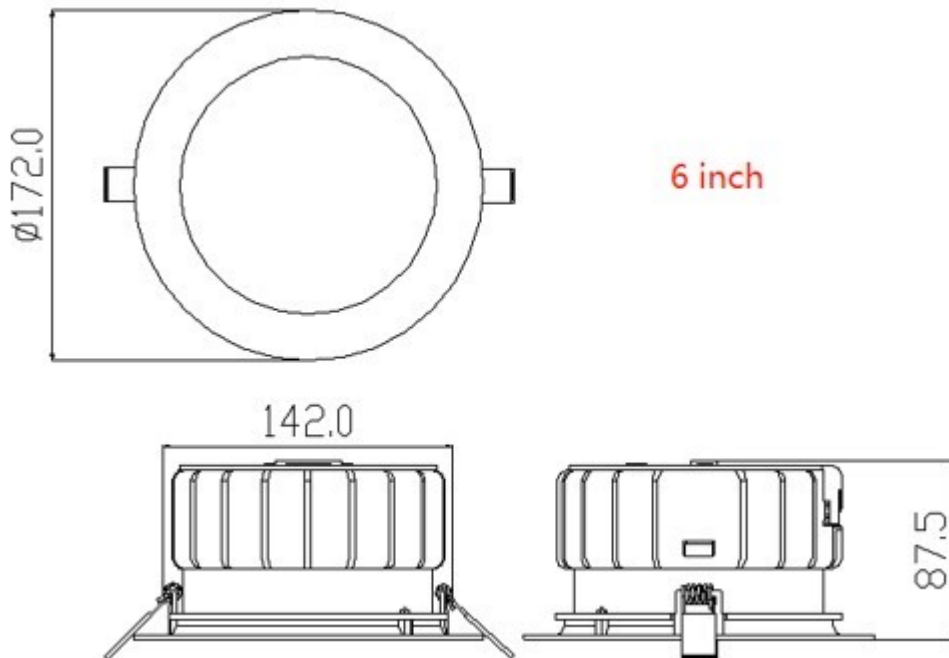
Cutout D150 1600/1000lm 16/10W 3000k/4000k 90° Non-dim Diffuser IP54

B10	22
B16	34
C10	36
C16	59

MECHANICAL AND MATERIAL

Optics Material	Polycarbonate
Housing Material	Aluminium+Polycarbonate
Housing Colour	WH26
Diameter	Ø172 mm
Height	87 mm
Weights	550 g

DIMENSIONAL DRAWING

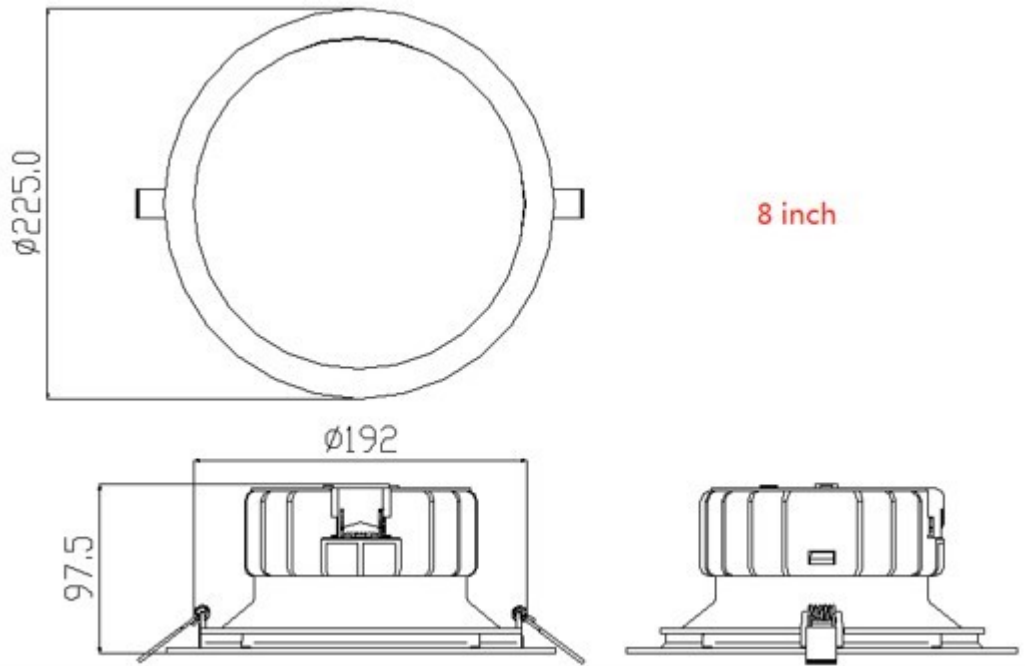


MILENA

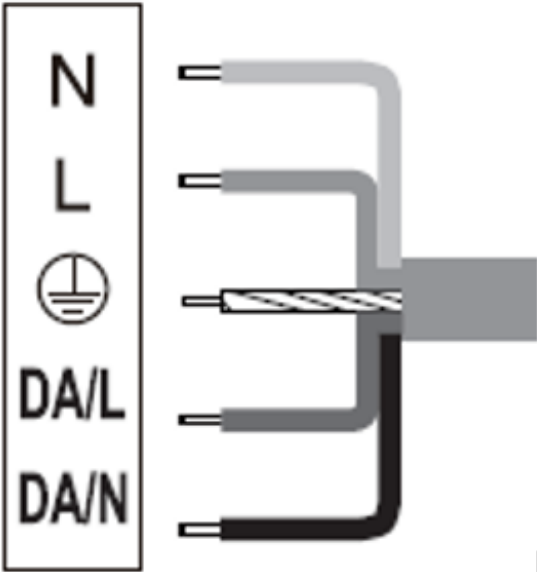
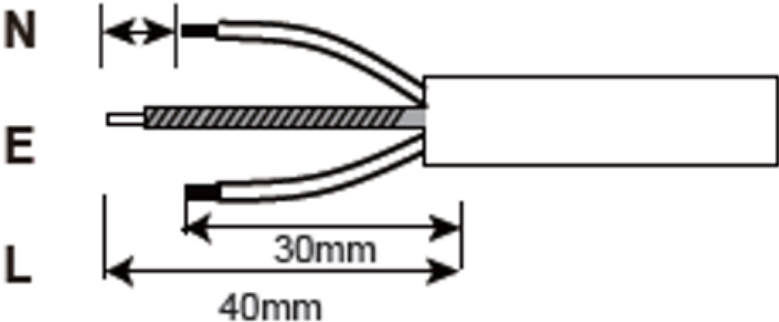
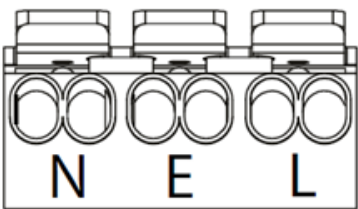
Integrated LED Downlight

FDL71400v0-ds/sc+830840+WH

Cutout D150 1600/1000lm 16/10W 3000k/4000k 90° Non-dim Diffuser
IP54



WIRING DIAGRAM



Integrated LED Downlight

[FDL71400v0-ds/sc+830840+WH](#)

PRODUCT DATASHEET

Cutout D150 1600/1000lm 16/10W 3000k/4000k 90° Non-dim Diffuser
IP54

LOGISTIC INFORMATION

MM Code	Packaging Unit	Outer Box Dimensions			Gross Weight per Outer Box
		L mm	W mm	H mm	
MM10625	16 pcs/unit	730 mm	232 mm	395 mm	kg