



### PRODUCT FEATURES

- A range of recessed integrated LED downlights
- No external driver required which facilitates easy installation and maintenance
- Delivers uniform light distribution
- Range of sizes allowing retrofit for many conventional downlights in existing ceiling cut-outs
- Low in height and suitable for limited ceiling depths
- Value engineered with a minimum number of components for a cost competitive solution

### APPLICATIONS



### PRODUCT INFORMATION

Model Number	FDL73900v0
Product Code	FDL73900v0++830+WH
MM Code	MM10874

### ELECTRICAL INFORMATION

Input Voltage	220-240 VAC
Input Current	220 mA
Power Factor	>0.5
Inrush Current	13 A
Inrush Duration	240 $\mu$ s

### DIMMING AND CONTROLS

Dimmability	Non-Dim
-------------	---------

### PHOTOMETRICAL INFORMATION

Luminous Flux	1950
Luminous Efficacy	81 lm/W
Colour Temp	3000K K
CRI	Ra80
Colour Consistency	$\Delta$ 6
Flickering	Yes

### LIFE PERFORMANCE

Lifetime	25,000hrs L70B50@Ta25°C
Number of Switching Cycles	100000

### STANDARDS AND APPLICATION

IK	3
Protection Class	CL II
Glow Wire	650 °C
Working Temperature	-30 to +40 °C
Energy Class	A
Standards Compliance	IEC/EN60598-1,IEC/EN60598-2-2

### INSTALLATION AND CAPABILITIES

Covered by insulation material	not cover with thermal material
Min. Distance from Lighted Object	0.1 mm
B10	30
B16	70
C10	51
C16	120

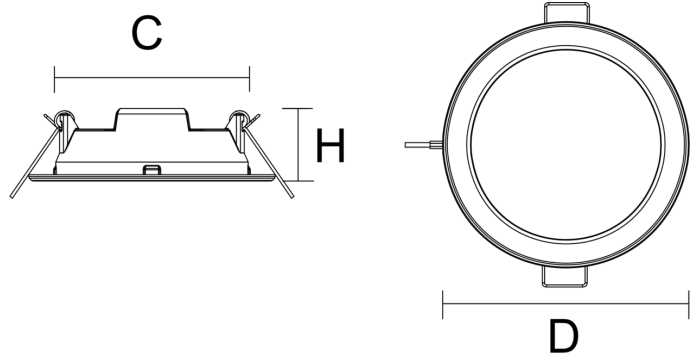
### MECHANICAL AND METERIAL

Optics Material	Polycarbonate
Housing Material	PBT
Housing Colour	WH12

Diameter Ø220 mm

Height 30 mm

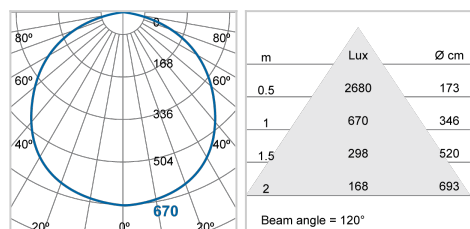
### DIMENSIONAL DRAWING



### WIRING DIAGRAM



### PHOTOMETRIC DIAGRAM



### LOGISTIC INFORMATION

MM Code	Packaging Unit	Outer Box Dimensions			Gross Weight per Outer Box
		L	W	H	
	pcs/unit	mm	mm	mm	kg

MM10874