

CASSINI

Designed by Jacob Rudbeck



Pendant lamp



TESTS & CERTIFICATIONS

CE (for indoor use)



DIMENSIONS

Ø: 40 cm / 15.7"
H: 11 cm / 4.3"

Ø: 20 cm / 7.8"
H: 11 cm / 4.3"



MATERIAL

Steel, aluminium and PS
Incl. 2.7 m / 8'9" black textile cord and metal canopy



WARRANTY

10 years warranty against manufacturer defects



WEIGHT INCL. PACKAGING

Cassini medium: 4.2 kg / 9.3 lb
Cassini mini: 2.2 kg / 4.9 lb



LIGHT SOURCE

Cassini medium: 16W LED panel built-in
3000 K - 1000 lm. RA: >80. 25000 H

Cassini mini: 14W LED panel built-in. 3000 K - 320 lm
RA: >80. 25000 H
Dimmable with external dimmer*



PACKAGING (L x W x H)

Cassini medium: 42.6 x 42.6 x 14 cm / 16.8 x 16.8 x 5.5"
Cassini mini: 24.9 x 21.7 x 17.3 cm / 9.8 x 8.5 x 6.8"



ASSEMBLY TIME

10 min - video guide at umage.com



MEDIA KIT

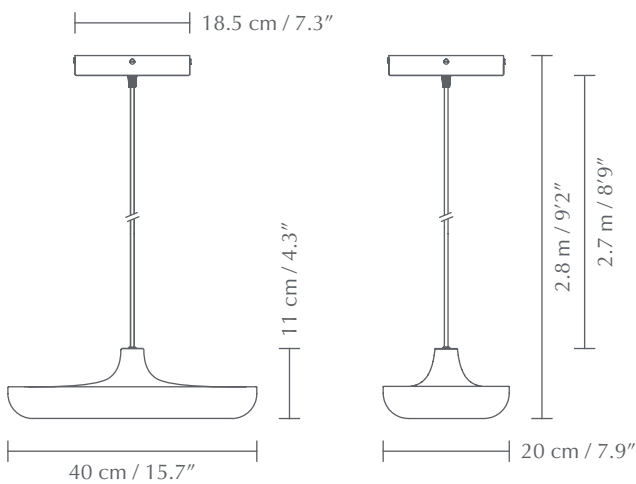
Photos and press material
Download at umagepress.com



ORDERING INFORMATION

Cassini medium
Cassini mini

#2360
#2361



Colour variations

* For recommended external dimmers, go to umagepress.com



black


UIMAGE

The specifications and dimensions are subject to change without notice. Document date: 16-11-2020 | info@umage.com | umage.com
Kongens Nytorv 15, DK-1050 Copenhagen K | +45 31 39 31 31 (tel) & 185 Wythe Ave 2FL, Brooklyn, NY 11249 | +1 646-790-7171 (tel)

CASSINI

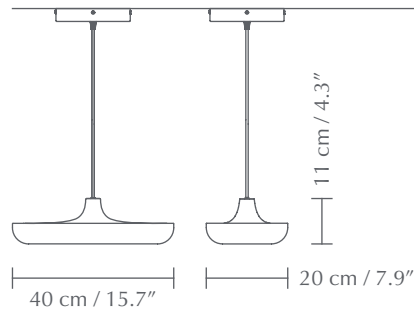
Designed by Jacob Rudbeck



SCULPTURAL DETAILS

UMAGE is presenting a new lamp, Cassini™, inspired by the rings of Saturn, hence the name. The lamp has a built-in LED panel with diffusers ensuring a soft illumination in the room and securing a sustainable life of the design. A top panel provides an ambient light upwards as well as downwards, enhancing the details of the design and secures a soft atmosphere in the surrounding space.

Find more info on our website umage.com




UMAGE