

SOLAR RANGE



SOLAR
>12 Hours



MADE IN ITALY



3 WORKING MODE

 WORKING MODE	SUMMER MODE 1 flash 15% 42Lm 100% 280Lm for 25 sec. AUTONOMY 25h (at fully charged battery)	WINTER MODE 2 flash 7% 20Lm 100% 280Lm for 25 sec. AUTONOMY 46h (at fully charged battery)	SENSOR MODE 3 flash OFF 100% 280Lm for 25 sec. 423 SENSOR DETECTIONS (at fully charged battery)	STAND BY MODE OFF NO WORKING TO PRESERVE THE BATTERY
	CHARGING TIME 6h at 60.000 Lux (full sunny day)			

REPLACEABLE BATTERY

 REPLACEABLE BATTERY	<ul style="list-style-type: none"> LiFePO4 IFR 26650 3,3Ah-3,2V No risk of explosion Working temperature -10° to +60°C Longer Lifetime 	 NO WIRES NEEDED
--------------------------------	--	---------------------

MOTION SENSOR

 SENSOR	<ul style="list-style-type: none"> PIR Sensor control Detection angle 120° Fields of detection up to 5mt Active for 25 sec. 	 120° 5mt.
-------------------	---	------------------

CCT SETTABLE LED

 CCT SET	<ul style="list-style-type: none"> 3000K/4000K/6500K 		 3000 Kelvin	 4000 Kelvin	 6500 Kelvin	CRI >80 SDCM <6
--------------------	---	--	-----------------	-----------------	-----------------	--------------------

SOLAR PANEL

 SOLAR PANEL	<ul style="list-style-type: none"> 5V/2W Monocrystalline PET type Antishock material 	 ANTI SHOCK
------------------------	---	----------------





FIORINA

SOLAR LED



FI1.542.S1K

FELICE SOLAR				
SOLAR MODULE	BATTERY LiFePO4	SOLAR PANEL	LUMINOUS FLUX	CCT SETTABLE
 SOLAR LED MODULE	3,3Ah 3,2V  RECHARGEABLE BATTERY	5V/2W	max 280Lm	6500K/4000K/3000K

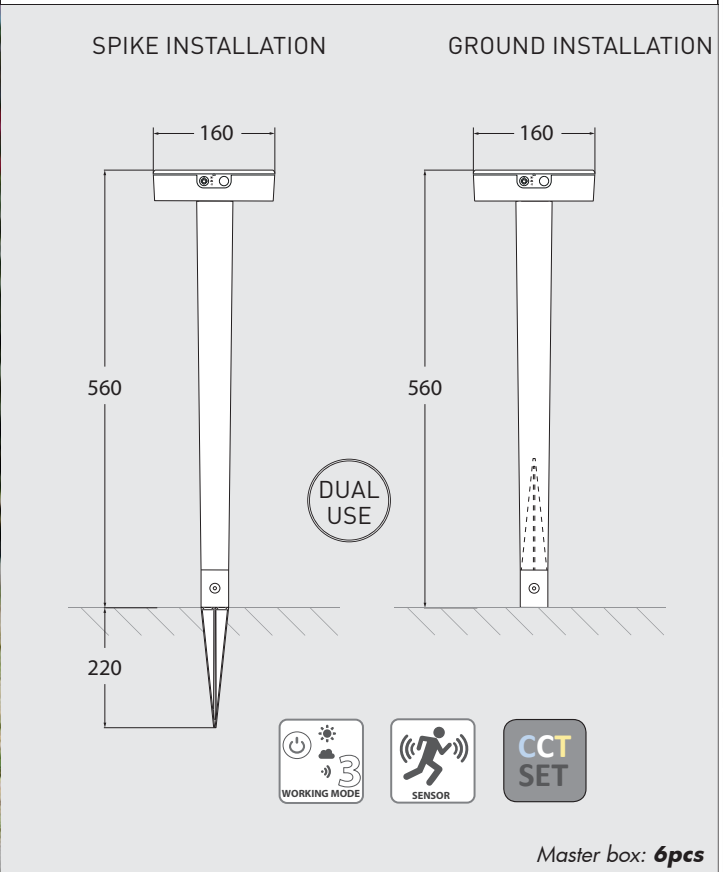


AVAILABLE COLORS		
RESIN BODY (MOULDED COLOURS)		
BLACK (A)	GREY (L)	WHITE (W)

FIORINA



SOLAR >12 Hours	
FI1.542.S1K	



FORTUNATO



SOLAR >12 Hours	
FO1.000.S1K	

