

MASTER LED Lamps

MASTER LED 7W 2700K MR16 36D DIM



Delivering a warm, halogen/incandescent-like accent beam, MASTER LED lamp is an ideal retrofit solution for spot and general lighting applications in the hospitality industry. It is particularly suited to public areas such as receptions, lobbies, corridors, stairwells and washrooms, where the light is on all the time. MASTER LED delivers huge energy savings and minimizes maintenance cost without any compromise on brightness, enabling hospitality owners to achieve a fast return on their investment. These LED lamps are compatible with most fixtures and designed as a retrofit replacement alternative for halogen lamps or incandescent lamps.

Product data

• General Characteristics

Cap-Base	GU5.3
Bulb	MR16 [MR 16inch/50mm]
Rated Lifetime (hours)	40000 hr
Nominal Lifetime hours	40000 hr

• Light Technical Characteristics

Color Code	827
Color Designation (text)	Warm White
Beam Angle	36 D
Beam Description	36D [Medium beam]
Correlated Color Temperature	2700 K
Luminous Flux	420 Lm
Luminous Intensity	1200 cd
Color rendering index	80
Luminous Efficacy Lamp	60.00 Lm/W
Color Temperature	2700 K [CCT 2700K]
Rated Luminous Flux	420 Lm
LLMF - end nominal lifetime	70 %
Colour consistency	6 steps
Rated Beam Angle	36 D
Luminous flux in 90° cone	385 Lm

• Electrical Characteristics

Wattage	7 W
Wattage Technical	7 W
Voltage	12 V

Line Frequency	50-60 Hz
Lamp Current mA	715 mA
Dimmable	Yes
Wattage Equivalent	35 W
Rated Wattage	7.0 W
Starting Time	0.5 (max) s
Warm-up Time to 60% Light Outp	instant full light
Suitable for accent lighting	Yes

• Temperature Characteristics

T-case maximum	110 C
----------------	-------

• Environmental characteristics

Energy Efficiency Label (EEL)	A
-------------------------------	---

• Measuring Conditions

Switching cycle	50000X
-----------------	--------

• Product Dimensions

Overall Length C	50 mm
Diameter D	54 mm

• Product Data

Order code	929000237619
Full product code	929000237619
Full product name	MASTER LED 7W 2700K MR16 36D DIM
Order product name	MASTER LED 7W 2700K MR16 36D DIM



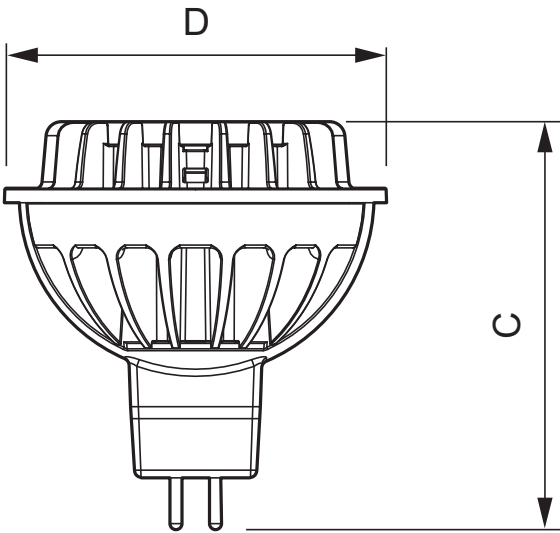
PHILIPS

MASTER LED Lamps

Pieces per pack 1
Packing configuration 10
Packs per outerbox 10
Bar code on pack - EAN1 8718291699828

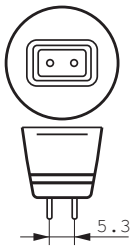
Bar code on outerbox - EAN3 8718291699835
Logistic code(s) - 12NC 929000237619
Net weight per piece 0.060 kg

Dimensional drawing



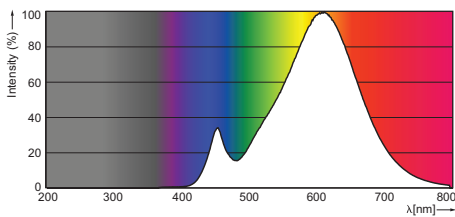
MASTER LED 7W 2700K MR16 36D DIM

Product	C (Norm)	D (Norm)
LED D 7-35W 2700K MR16 36D	50	54



GU5.3

Photometric data



7-40 W, 7-35 W MR16 2700K



© 2014 Koninklijke Philips N.V. (Royal Philips)
All rights reserved.

Specifications are subject to change without notice. Trademarks are the property of Koninklijke Philips N.V. (Royal Philips) or their respective owners.

www.philips.com/lighting

2014, September 4
data subject to change